

Project Name:		Approval:	
Location:		Date:	
Engineer:		Construction:	
Submitted to:		Unit #:	
Submitted by:		Drawing #:	
Reference:			

Indoor	CPG024CD(I)
Outdoor	CPG024CD(O)



### PERFORMANCE DATA

Power supply	Ph-V-Hz	208-230V~60Hz, 1Ph
--------------	---------	--------------------

#### Cooling

Capacity	Btu/h	24000
Input	W	2525
Rated current	A	11.2
EER	Btu/w	9.5
SEER	Btu/w	16

#### Heating

Capacity	Btu/h	25000
Input	W	2425
Rated current	A	10.7
COP	W/W	3.02
HSPF4	Btu/w	9
HSPF5	Btu/w	7.2
MINIMUM CIRCUIT AMPACITY	A	18
MAX.FUSE	A	25
Moisture Removal	L/h	/

#### Compressor Electrical

Model		ATF235D22UMT
Type		ROTARY
Brand		GMCC
Capacity	Btu/h	24344
Input	W	1970
Rated current(RLA)	A	12
Locked rotor Amp(LRA)	A	----
Thermal protector		----
Thermal protector position		----
Refrigerant oil/oil charge	ml	ESTER OIL VG74/670
Connection wiring		16#*4 Stranded, unshielded
Thermostat type		Remote Control

#### SYSTEM DATA

Design pressure	MPa	R410A/1800g
Refrigerant type	oz	25
Refrigerant precharge	ft	0.322
Additional charge per ft.	oz	550/340 PSIG
Liquid side/ Gas side	mm(in)	Φ9.52/Φ15.9(3/8"/5/8")
Max. refrigerant pipe length	ft	98
Max. difference in level	ft.	66
Application area	sq.ft	330-484

### INDOOR UNIT DATA

Indoor fan motor		
Model		ZKFP-58-8-1
Brand		Welling
Input		58(Output)
RLA	A	0.4
LRA	A	----
Winding Resistance	Ω	----
Capacitor	uF	----
Speed(Hi/Mi/Lo)	r/min	1100/900/700
<b>Air flow &amp; Noise level</b>		
Indoor air flow (Hi/Mi/Lo)	CFM	589/459/353
Indoor noise level (Hi/Mi/Lo)	dB(A)	45.5/-/33

#### Indoor unit

Dimension(W*D*H)	inch	42.52x8.90x13.19
Packing (W*D*H)	inch	45.47x16.34x12.40
Net/Gross weight	lbs.	29.1/37.0

### OUTDOOR UNIT DATA

Outdoor fan motor		
Model		YKT-63-6-200L
Brand		Welling
Input		136/130
RLA	A	0.6
LRA	A	0.9
Winding Resistance	Ω	88.5/138
Capacitor	uF	2.5UF/450V
Speed	r/min	930/-/830
<b>Air flow &amp; Noise level</b>		
Outdoor air flow	CFM	1590
Outdoor noise level	dB(A)	59

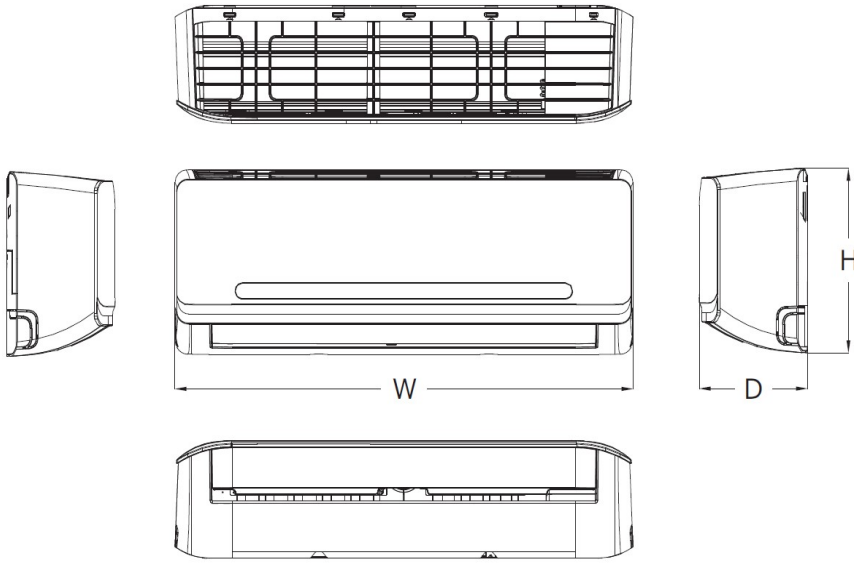
#### Outdoor unit

Dimension(W*D*H)	inch	33.27x14.29x27.64
Packing (W*D*H)	inch	38.00x15.55x29.72
Net/Gross weight	lbs.	105.16/112.44

#### Operation temperature

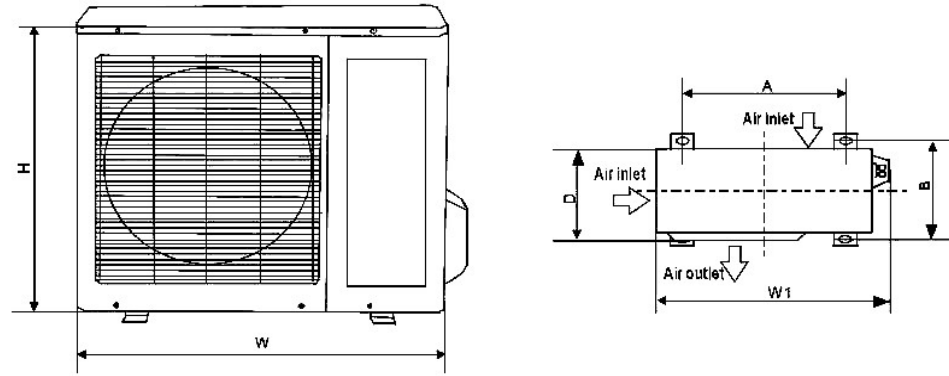
Indoor(cooling/ heating)	Deg. F	62~90/32~86
Outdoor(cooling/heating)	Deg. F	5~122/5~86

**INDOOR UNIT**



Model	W (inch)	D (inch)	H (inch)
CPG024CD(I)	42.52	8.9	13.29

**OUTDOOR UNIT**



Model	W (inch)	D (inch)	H (inch)	W1 (inch)	A (inch)	B (inch)
CPG024CD(O)	33.27	14.29	27.64	35.98	21.26	13.78