

Sale Model:

CPP024CD(I)

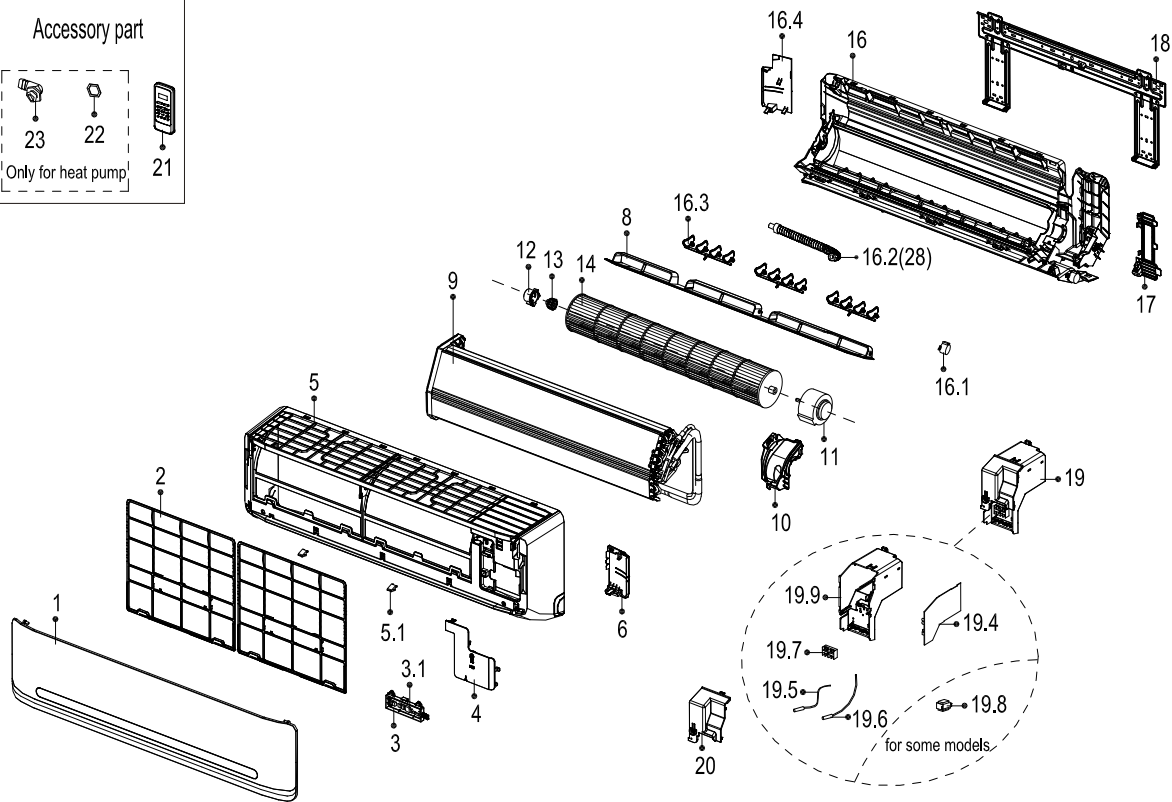
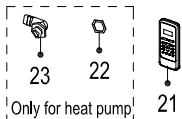
Power Supply:

208-230V\_1Ph, 60HZ

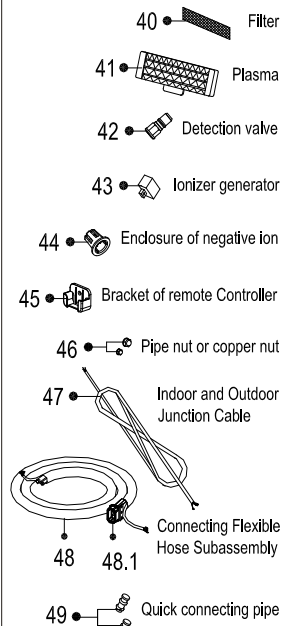
Export Time:

2016-03-03 15:29:32

Accessory part



Optional part



No.	Part Name	Quantity	BOM Code
1	Panel assembly	1	12122000A36019
2	Air filter	2	12100204000461
3	wifi box assembly	1	17222000A07647
3	Display box assembly	1	17222000A17709
4	Cover of electrical equipment	1	12122000006733
5	Panel frame assembly	1	12122000001956
5.1	Screw cap	2	12122000008242
6	Right cover of chassis	1	12122000004608
8	Horizontal louver assembly	1	12122000006335
9	Evaporator assembly	1	15822000003638
10	Fan motor cover	1	12122000005512
11	Fan motor	1	11002015000094
12	Bearing holder	1	12122000000350
13	Bearing base	1	12622000000006
14	Cross flow fan	1	12100102000018
16	Chassis assembly	1	12122000011879
17	Pipe clamp board	1	12122000012942
18	Installation plate	1	12222000000026
19	Electronic control box assembly	1	17222000A23094
19.4	Indoor main control board assembly	1	17122000A15737
19.5	Ambient temperature sensor assembly	1	11201007000085

No.	Part Name	Quantity	BOM Code
19.6	Pipe temperature sensor assembly	1	11201007000126
19.7	Wire joint	1	17400401000006
19.9	Electronic installing box	1	12122000007845
20	Cover of electronic control box	1	12122000005024
21	Remote Controller	1	17317000A16345
22	Seal ring	1	12600701000039
23	Drain joint	1	12100509000061
28	Drain hose	1	12100501000032
40	Air freshening filter	1	12100204000685
45	Bracket of remote Controller	1	12117000A00041
46	Pipe nut or copper nut	1	15500406000003
46	Pipe nut or copper nut	1	15500406000010