

Project Name:	
Location:	
Engineer:	
Submitted to:	
Submitted by:	
Reference:	

Approval:	
Date:	
Construction:	
Unit #:	
Drawing #:	

Indoor model	TPA-09
Outdoor model	CPP009CD(O)



### PERFORMANCE DATA

<b>Power supply</b>	Ph-V-Hz	208-230V~ 60Hz, 1Ph
<b>Cooling</b>		
Capacity	Btu/h	9000
Input	W	692
Rated current	A	3.0
EER	Btu/W	13
SEER		20
<b>Heating</b>		
Capacity	Btu/h	10000
Input	W	850
HSPF4		10.5
HSPF5		8.4
MINIMUM CIRCUIT		
	A	10
MAX.FUSE		
	A	15
Moisture Removal		
	L/h	1
Starting current		
	A	----
Rated current(RLA)		
	A	5.5
Locked rotor Amp(LRA)		
	A	----
Thermal protector		
		----
Thermal protector position		
		INTERNAL
Capacitor		
	uF	----
Refrigerant oil		
	ml	ESTER OIL VG74/370
<b>Connection wiring</b>		
		16AWG*4 Stranded, unshielded

Thermostat type		Remote Control
-----------------	--	----------------

<b>Operation temperature</b>		
Indoor(cooling/ heating)	Deg. F	62~90/32~86
Outdoor(cooling/heating)	Deg. F	-13~122/ -13~86

### INDOOR UNIT DATA

<b>Indoor fan motor</b>		
RLA	A	0.9
LRA	A	---
Winding Resistance	Ω	---
Capacitor	uF	---
Speed(Hi/Mi/Lo)	r/min	600/520/460
Sound dBa (Hi/Mi/Lo)		41/37/33
Static Pressure(MAX.)	Pa	---
<b>Indoor unit</b>		
Dimension(W*D*H) body	inch	22.44x22.44x10.24
Packing (W*D*H) body	inch	25.79x25.79x11.42
Net/Gross weight body	lbs.	31.97/38.14
Dimension(W*D*H) panel	inch	25.47x25.47x1.97
Packing (W*D*H) panel	inch	28.15x28.15x4.84
Net/Gross weight panel	lbs.	5.51/9.92

### OUTDOOR UNIT DATA

<b>Outdoor fan motor</b>		
RLA	A	0.4
LRA	A	----
Winding Resistance	Ω	---
Capacitor	uF	----
Speed	r/min	800

### Outdoor unit

Dimension(W*D*H)	inch	30.31x11.81x21.85
Packing (W*D*H)	inch	35.43x13.58x23.03
Net/Gross weight	lbs.	5.51/9.92

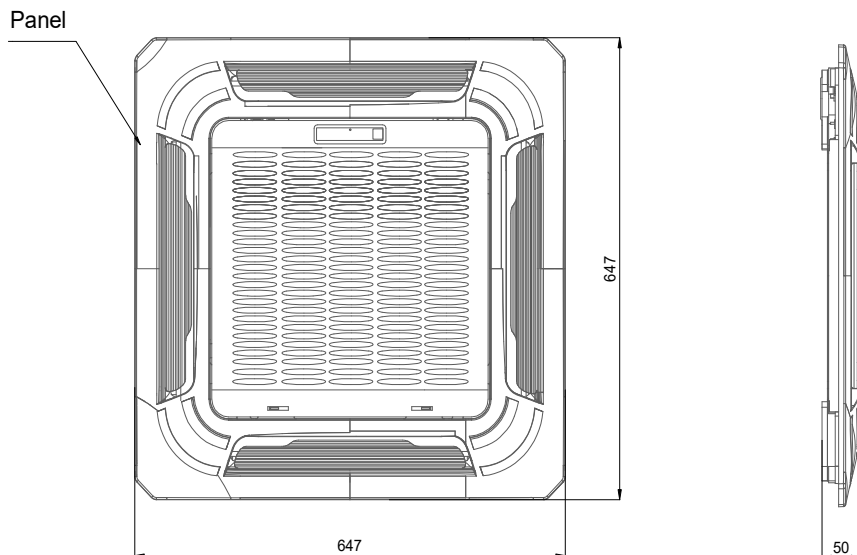
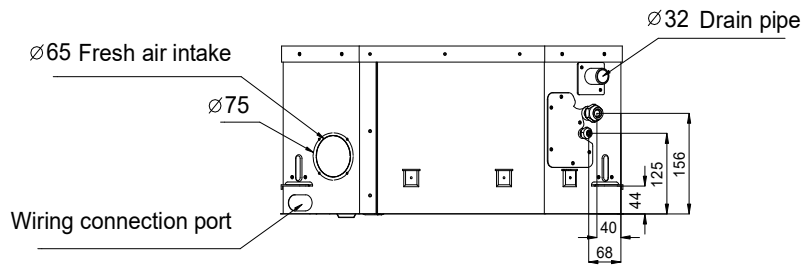
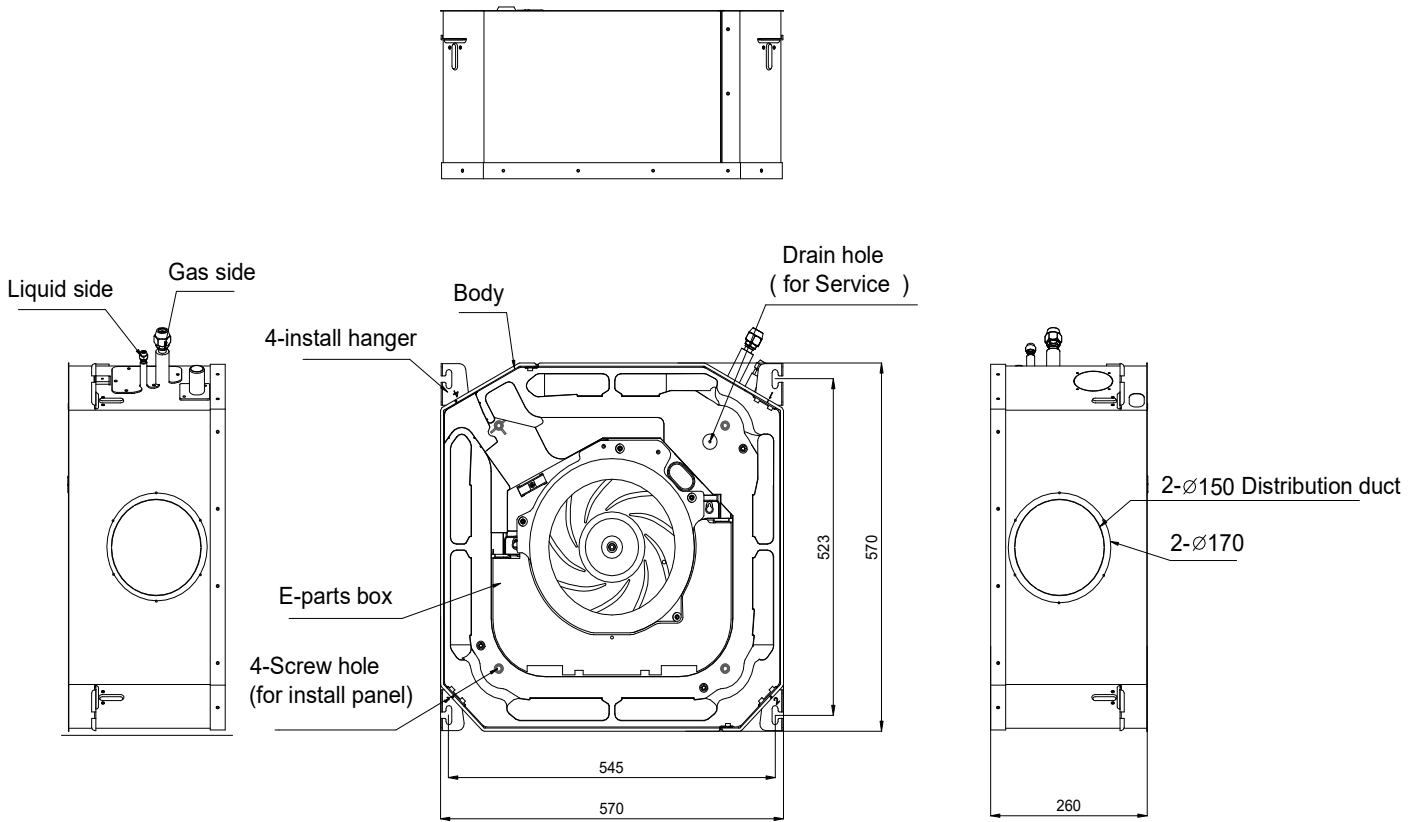
### SYSTEM DATA

Refrigerant type	oz	R410A/38.8
Additional Refrigerant/ft.	oz	0.16
Design pressure	PSIG	550/340

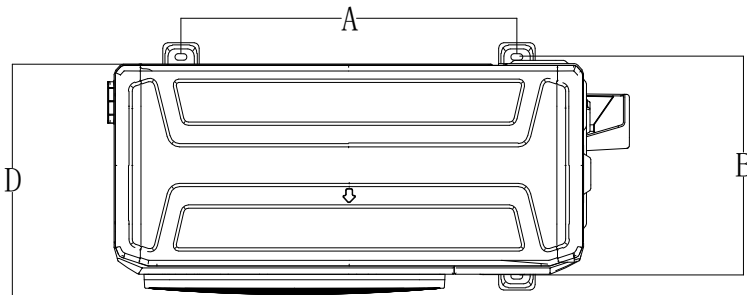
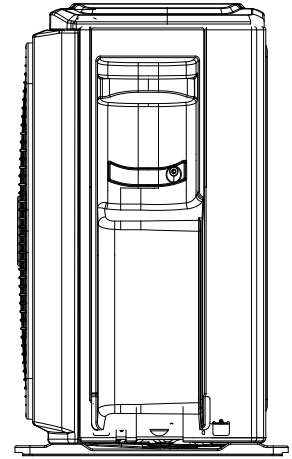
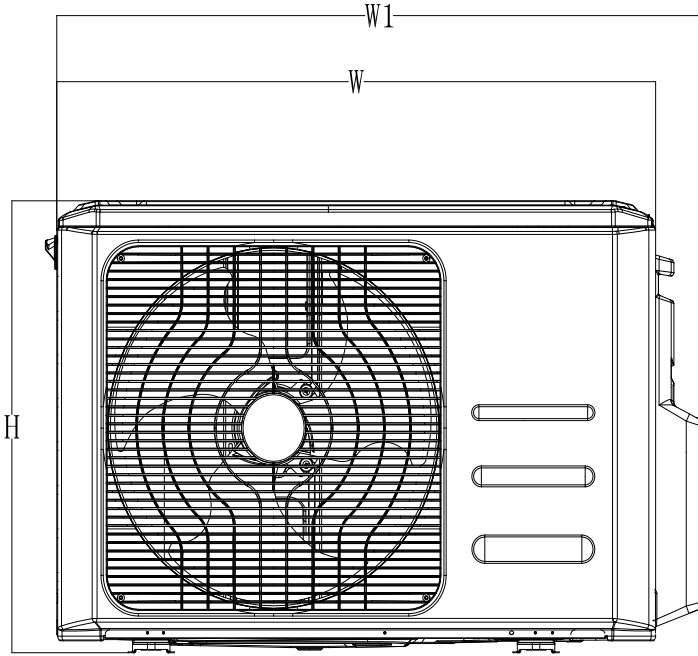
### Refrigerant piping

Liquid side/ Gas side	mm(inch)	Φ6.35/Φ9.52(1/4"/3/8")
Max. refrigerant pipe length	ft	82
Max. difference in level	ft.	33

**INDOOR UNIT**



**OUTDOOR UNIT**



SIZE	W	D	H	W1	A	B
inch	31.5	13.1	21.8	34.3	20.2	13.4