

Sale Model:

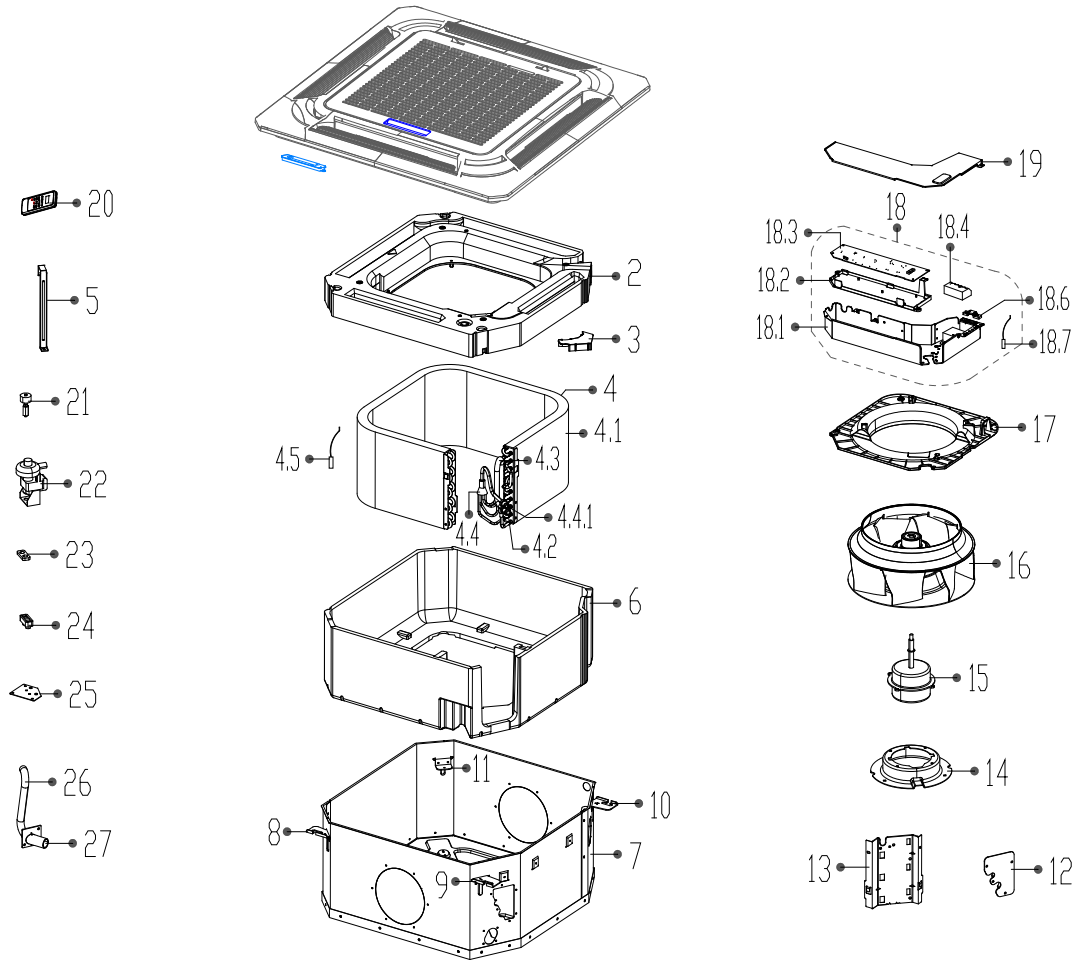
TPA-18

Power Supply:

220-230V~ 60Hz 1Phase

Export Time:

2016-04-16 15:02:49



No.	Part Name	Quantity	BOM Code
2	Water collector	1	1282250000017
3	Wire box	1	1212250000022
4	Evaporator assembly	1	15822500A00623
4.1	Evaporator	1	15822500A00621
4.2	Copper nut	1	1550040600012
4.3	Output pipe assembly	1	15122500000226
4.4	Input pipe assembly	1	15122500000277
4.4.1	Copper nut	1	1550040600016
4.5	Pipe temperature sensor assembly	1	11201007000070
5	Evaporator hang board	1	12222500000093
6	Base foam assembly	1	12822500000005
7	Chassis assembly	1	12222500000224
8	Hook II	1	12222500000191
9	Hook I	1	12222500000192
10	Hook IV	1	12222500000190
11	Hook III	1	12222500000193
12	Pipe fixing board assembly	1	12122500000330
13	Evaporator fixing board	1	12222500000197
14	Fan motor fixing base	1	12222500000199

No.	Part Name	Quantity	BOM Code
15	Asynchronous motor	1	11002015000069
16	Centrifugal fan	1	12100103000089
17	Ventilation ring	1	12122500000425
18	Electronic control box assembly	1	17222500000094
18.1	Electronic control box	1	12222500000165
18.2	Insulation plate	1	12122500000029
18.3	Main control board assembly	1	17122500000412
18.4	Wire joint	1	17400401000075
18.6	Clip	1	12200203000041
18.7	Ambient temperature sensor assembly	1	11201007000283
19	Cover of electronic control box	1	12222500000209
20	Remote controller	1	17317000A00646
21	Water level switch	1	17400511000015
22	Drain pump	1	11001010000063
23	Drain pump rubber washer	1	12622500000005
24	Drain pump rubber washer II	1	12622500000003
25	Drain pump installation base	1	12222500000352
26	Drain pipe	1	12622500000012
27	Drain connecting pipe	1	12100510000019
43	Accessory kit	1	12026200A00001