

Sale Model:

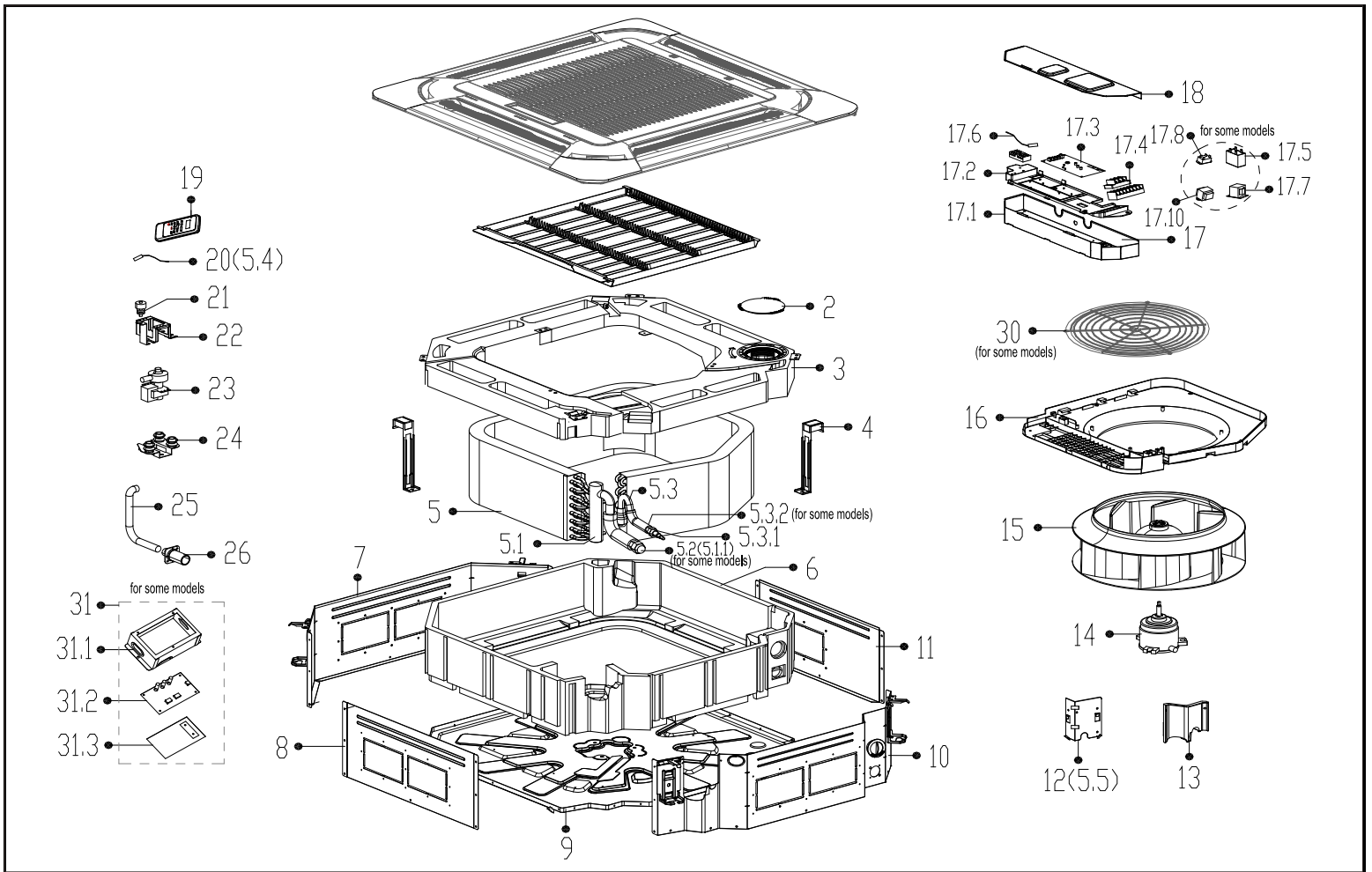
TPA-48DU

Power Supply:

208And230V_1Ph,60HZ

Export Time:

2016-04-16 15:11:01



No.	Part Name	Quantity	BOM Code
2	Cover	1	1212250000025
3	Foam tray assembly for condenser water	1	1282250000059
4	Evaporator fixing hanger	2	1222250000090
5	Evaporator assembly	1	15822500A01343
5.1	Output pipe assembly	1	15122500000647
5.2	Copper nut	1	15500406000003
5.3	Input pipe assembly	1	15122500000646
6	Base foam assembly	1	12822500000009
7	Board assembly III	1	12222500000133
8	Board assembly I	1	12222500000240
9	Chassis assembly	1	12222500000122
10	Board assembly II	1	12222500000157
11	Board assembly IV	1	12222500000233
13	Pipe fixing board assembly	1	12122500000331
14	Asynchronous motor	1	11002015000187
15	Fan assembly	1	12100103000142
16	Ventilation assembly	1	12122500000422
17	Electronic control box assembly	1	17222500002100
17.1	Electronic control box	1	12222500000119

No.	Part Name	Quantity	BOM Code
17.2	Insulation plate	1	12122500000029
17.3	Main control board assembly	1	17122500002471
17.4	Wire joint	1	17400401000075
17.6	Ambient temperature sensor assembly	1	11201007000283
17.7	Reactance	1	17400306000070
18	Cover of electronic control box I	1	12222500000162
19	Remote controller	1	17317000A00646
20	Pipe temperature sensor	1	11201007000006
20	Pipe temperature sensor	1	11201007000266
21	Water level sensor assembly	1	11201005000006
22	Water Pump installation bracket assembly	1	12222500001012
23	Drain pump	1	17400802000012
24	Pump rubber washer	3	12622500000006
25	Drain pipe	1	12622500000013
26	Water pipe	1	12100509000068
31	Electronic control box assembly	1	17222500000195
31.1	Electronic control box	1	12223000000052
31.2	Inverter control board assembly	1	17122500000770
31.3	Radiator	1	11203803000154
41	Accessory kit	1	12022500000002