

Sale Model:

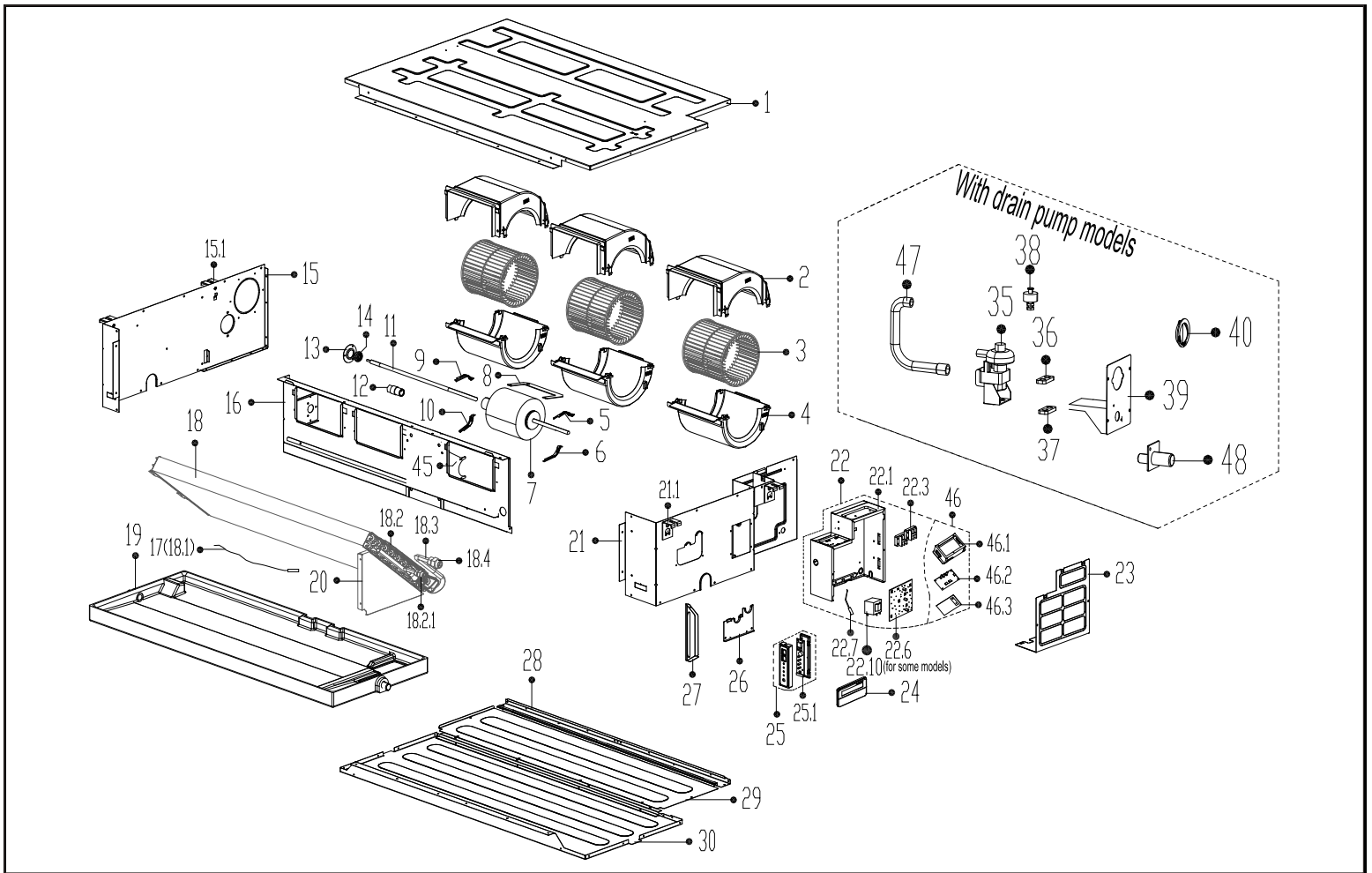
CPA-48

Power Supply:

208-230V~ 60Hz 1Phase

Export Time:

2016-03-04 16:04:12



No.	Part Name	Quantity	BOM Code
1	Chassis assembly	1	12223000000521
2	Up volute shell	3	12123000000024
3	Centrifugal fan	3	12100103000079
4	Below volute shell	3	12123000000022
5	Fan motor top fixing clamp (right)	1	122230000000531
6	Fan motor below fixing clamp (right)	1	122230000000529
7	Asynchronous motor	1	11002015000365
8	Fan motor fixing board	1	122230000000535
9	Fan motor top fixing clamp (left)	1	122230000000532
10	Fan motor below fixing clamp (left)	1	122230000000530
11	Connecting shaft	1	129230000000001
12	Coupling	1	129230000000004
13	Bearing Fixing board	1	122220000003769
14	Bearing base	1	126220000000013
15	Left clapboard assembly	1	122230000000121
16	Middle beam assembly	1	122230000000238
18	Evaporator assembly	1	158230000000036
18.1	Pipe temperature sensor assembly	1	11201007000136
18.1	Pipe temperature sensor assembly	1	112010070000266

No.	Part Name	Quantity	BOM Code
18.2	Input pipe assembly	1	15123000000338
18.2.1	Copper nut	1	15500406000010
18.3	Output pipe assembly	1	15123000000299
18.4	Copper nut	1	15500406000003
19	Water collector	1	12823000000002
20	Evaporator right support board assembly	1	12223000000288
21	Right clapboard assembly	1	12223000000075
22	Electronic control box assembly	1	17223000000205
22.1	Electronic control box	1	12223000000046
22.3	Wire joint	1	17400401000006
22.6	Main control board assembly	1	17123000000182
22.7	Ambient temperature sensor assembly	1	11201007000073
22.10	Reactor	1	17400306000070
23	Cover of electronic control box	1	12223000000060
24	Wired controller	1	17317100A00214
25	Display box assembly	1	17223000000003
25.1	Display board assembly	1	17123000000096
26	Pipe clamp board assembly	1	12223000000524
27	Right clapboard strengthen board	1	12223000000112
28	Rear beam assembly	1	12223000000265
29	Rear cover assembly	1	12223000000212
30	Top cover assembly	1	12223000000198
34	Remote controller	1	17317000000099
45	Supporter assembly of fan motor	1	12223000000560
46	Electronic control box assembly	1	17223000000081
46.1	Electronic control box	1	12223000000052
46.2	Inverter control board assembly	1	171220000008511
46.3	Radiator	1	11203803000154