

Sale Model:

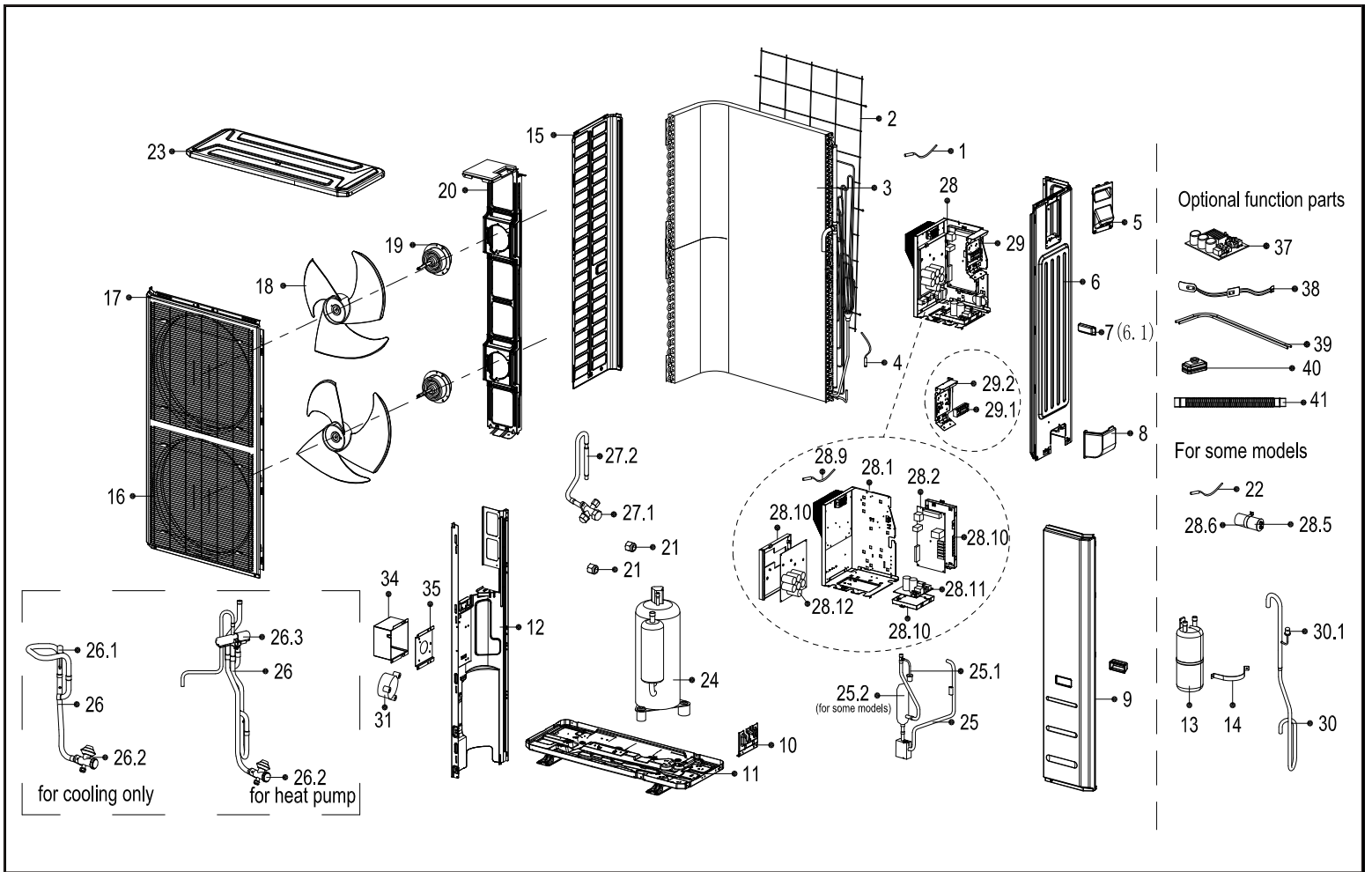
CPP048CD(O)-DU

Power Supply:

208And230V_1Ph,FREQUENCY_60HZ

Export Time:

2016-04-20 15:14:33



No.	Part Name	Quantity	BOM Code
1	Ambient temperature sensor assembly	1	11201007000039
2	Rear net	1	12222000007944
3	Condenser assembly	1	15823000A01777
3	Condenser assembly	1	15823000A01778
4	Pipe temperature sensor assembly	1	11201007000006
5	Big Handle assembly	1	12222000004019
6	Rear right clapboard assembly	1	12222200004215
8	Water collector	1	12122000014023
9	Front clapboard assembly	1	12222000006287
10	Valve plate	1	12222200002361
11	Chassis	1	12222000006290
12	Partition board assembly	1	12222000005733
13	Accumulator cylinder	1	15500508000009
15	Left side plate assembly of cabinet	1	12222200002363
16	Air outlet grille	2	12222000007904
17	Front panel	1	12222000007564
18	Axial flow fan	2	12100105000022
19	Fan motor	2	11002015002241
20	Supporter assembly of fan motor	1	12222000006288

No.	Part Name	Quantity	BOM Code
21	Copper nut	1	15500406000003
21	Copper nut	1	15500406000010
22	Discharge temperature sensor assembly	1	11201007000138
23	Top cover assembly	1	12222200002359
24	Compressor	1	11103020000029
25	Discharge pipe assembly	1	15123000008507
25.1	Pressure switch	1	17400516000020
26	4-way valve assembly	1	15423000002958
26.2	Gas valve	1	15500204000061
26.3	4-way valve	1	15500216000681
27	Liquid valve assembly	1	15423000002959
27.1	Liquid valve	1	15500208000026
27.2	Electronic expansion valve	1	15500213000245
28	Electronic control box assembly	1	17222500001481
28.1	Installation plate of electric parts	1	12222000006289
28.2	Main control board assembly	1	17122500001772
28.9	Discharge temp sensor assembly	1	11201007000157
28.10	Installation box of electric parts	1	12122000014182
28.10	Installation box of electric parts	1	12122000014342
28.10	Installation box of electric parts	1	12122000014343
28.11	Main control board assembly	1	17122000021908
28.12	Main control board assembly	1	17122500001774
29	Electronic control box assembly	1	17223000003336
29.1	Wire joint	1	17400401000082
29.1	Wire joint	1	17400401000085
29.1	Wire joint	1	17400401000098
29.2	Wire joint	1	17223000001877
30	Suction pipe assembly	1	15123000008516
30.1	Pressure switch	1	17400516000008
31	Reactor or Inductance	1	11201101000002
34	Cover of inductance	1	12222000006284
35	Installtation base of inductance	1	12222000006286
38	Crankcase electric heater	1	17402001000003
39	Electric heater of chassis	1	17402002000043