

Sale Model:

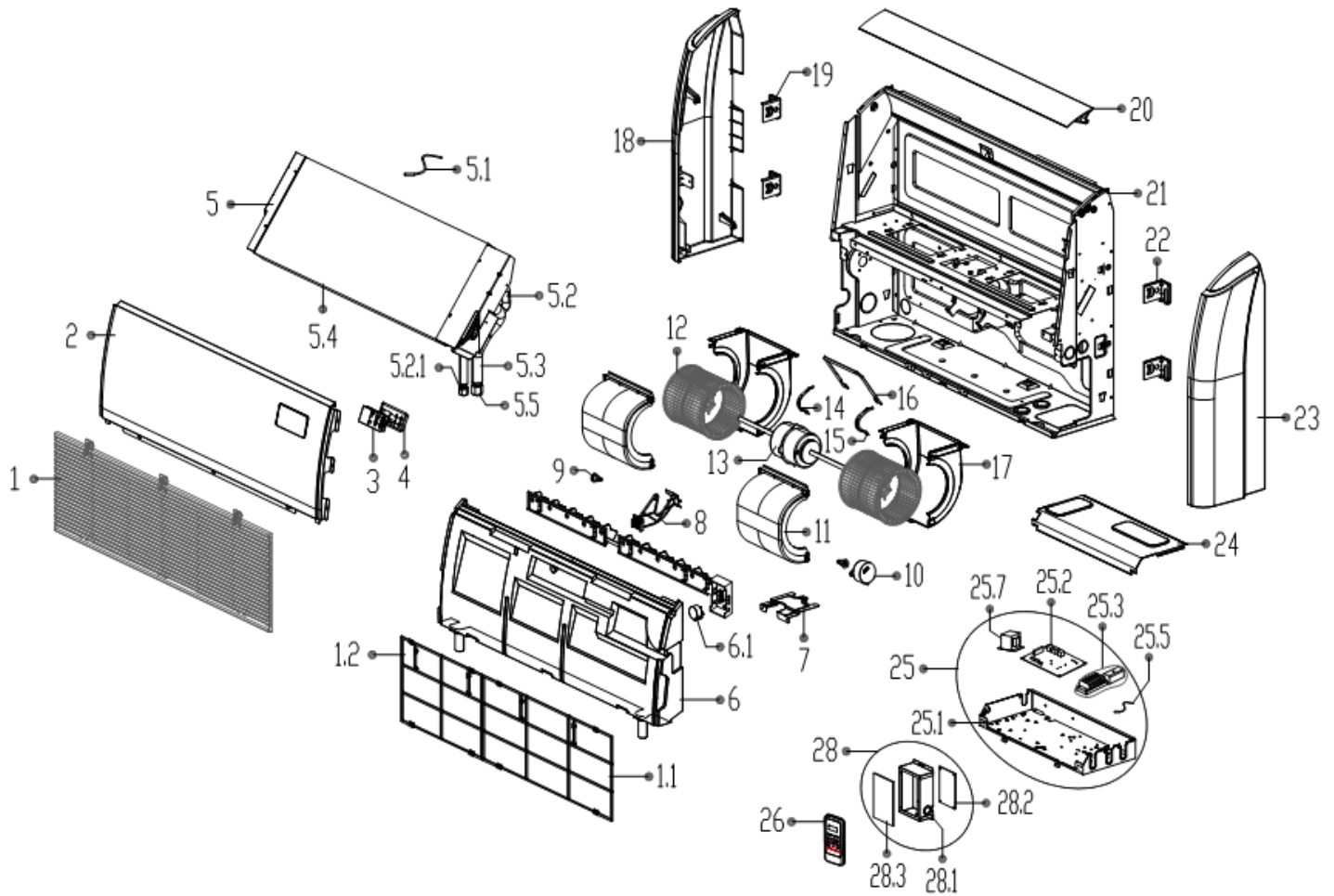
FPA-24

Power Supply:

208_230V_1Ph,60HZ

Export Time:

2016-04-20 09:38:20



No.	Part Name	Quantity	BOM Code
1	Air inlet grille assembly I	1	12122700000100
1.1	Air filter I	1	12100204000718
1.2	Air filter II	1	12100204000719
2	Top cover assembly	1	12222700000096
3	Display board assembly	1	17122700000005
4	Display installation box	1	12122700000044
5	Evaporator assembly	1	15822700A00026
5.1	Pipe temperature sensor assembly	1	11201007000006
5.1	Pipe temperature sensor assembly	1	11201007000266
5.2	Input pipe assembly	1	15122700000228
5.2.1	Copper nut	1	15500406000010
5.3	Output pipe assembly	1	15122700000185
5.4	Evaporator	1	15822700A00150
5.5	Copper nut	1	15500406000003
6	Water collector	1	12822700000010
6.1	Louver motor (vertical)	1	11002010000546
7	Pipe clamp board	1	12222700000054
8	Supporter of louver	1	12122700000150
9	Insulated axis	2	12122000000344

No.	Part Name	Quantity	BOM Code
10	Louver motor	1	11002010000057
11	Volute shell (above)	2	12122700000047
12	Centrifugal fan	2	12100103000002
13	Asynchronous motor	1	11002015000043
14	Fan motor axes clamp (right)	1	12222500000255
15	Fan motor axes clamp (left)	1	12222500000253
16	Fan motor fixing board	1	12222300000230
17	Volute shell (below)	2	12122700000111
18	Right cover	1	12122700000087
19	Right hook	2	12222700000018
20	Louver	1	12122700000061
21	Chassis assembly	1	12222700000059
22	Left hook	2	12222700000016
23	Left cover	1	12122700000093
24	Cover of electronic control box	1	12222700000058
25	Electronic control box assembly	1	17222700000124
25.1	Electronic control box	1	12222700000083
25.2	Main control board assembly	1	17122700000068
25.3	Wire joint	1	17400401000006
25.3	Wire joint	1	17400401000020
25.5	Ambient temperature sensor assembly	1	11201007000073
25.7	Reactance	1	17400306000070
26	Remote controller	1	17317000A00646
28	Electronic control box assembly	1	17222700000159
28.1	Electronic control box	1	12223000000052
28.2	Inverter control board assembly	1	17122000008562
28.3	Radiator	1	11203803000154