

Sale Model:

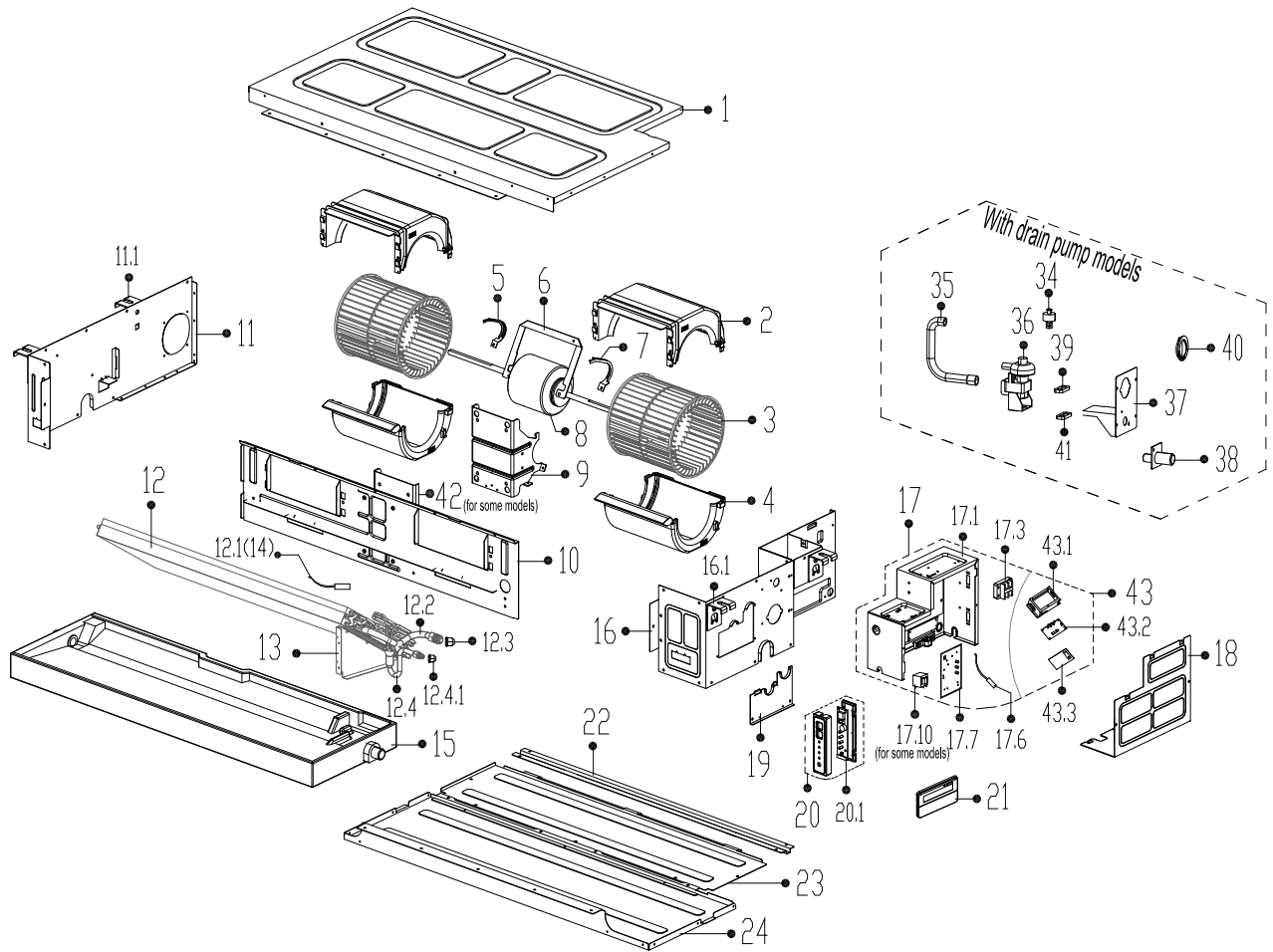
CPA-36

Power Supply:

208-230V~ 60Hz 1Phase

Export Time:

2016-03-04 16:02:59



No.	Part Name	Quantity	BOM Code
1	Chassis assembly	1	12223000000498
2	Up volute shell	2	12123000000024
3	Centrifugal fan	2	12100103000079
4	Below volute shell	2	12123000000022
5	Fan motor axes clamp (left)	1	12222500000253
6	Fan motor fixing board	1	12223000000537
7	Fan motor axes clamp (right)	1	12222500000255
8	Asynchronous motor	1	11002015000091
9	Supporter of fan motor	1	12223000000559
10	Middle beam assembly	1	12223000000229
11	Left clapboard assembly	1	12223000000123
12	Evaporator assembly	1	15823000000027
12.1	Pipe temperature sensor assembly	1	11201007000136
12.1	Pipe temperature sensor assembly	1	11201007000266
12.2	Output pipe assembly	1	15123000000302
12.3	Copper nut	1	15500406000003
12.4	Input pipe assembly	1	15123000000410
12.4.1	Copper nut	1	15500406000010
13	Evaporator right support board assembly	1	12223000000287

No.	Part Name	Quantity	BOM Code
15	Water collector	1	12823000000004
16	Right clapboard assembly	1	12223000000082
17	Electronic control box assembly	1	17223000000205
17.1	Electronic control box	1	12223000000046
17.3	Wire joint	1	17400401000006
17.6	Ambient temperature sensor assembly	1	11201007000073
17.7	Main control board assembly	1	17123000000182
17.10	Reactor	1	17400306000070
18	Cover of electronic control box	1	12223000000060
19	Pipe clamp board assembly	1	12223000000524
20	Display box assembly	1	17223000000003
20.1	Display board assembly	1	17123000000096
21	Wired controller	1	17317100A00214
22	Rear beam	1	12223000000267
23	Rear cover assembly	1	12223000000213
24	Top cover assembly	1	12223000000201
29	Right clapboard strengthen board	1	12223000000110
43	Electronic control box assembly	1	17223000000083
43.1	Electronic control box	1	12223000000052
43.2	Inverter control board assembly	1	17122000008553
43.3	Radiator	1	11203803000154
50	Remoted controller	1	17317000000099