

Project Name:	
Location:	
Engineer:	
Submitted to:	
Submitted by:	
Reference:	

Approval:	
Date:	
Construction:	
Unit #:	
Drawing #:	

Indoor model	FPA-48DU
Outdoor model	CPP048CD(O)-DU



PERFORMANCE DATA

Power supply	Ph-V-Hz	208~230-1-60
Cooling		
Capacity	Btu/h	48000
Input	W	5161
Rated current	A	22.4
EER	Btu/W	9.3
SEER		17.8
Heating		
Capacity	Btu/h	50000
Input	W	4579
Rated current	A	19.9
HSPF4		11
HSPF5		9.4
MINIMUM CIRCUIT AMPACI	A	35
MAX.FUSE	A	50
Moisture Removal	L/h	5.3
Starting current	A	----
Rated current(RLA)	A	23.5
Locked rotor Amp(LRA)	A	----
Thermal protector		----
Thermal protector position		INTERNAL
Capacitor	uF	----
Refrigerant oil	ml	Ester Oil VG74/1400
Connection wiring		(16AWG*3) +(24AWG*2 shielded)
Thermostat type		Remote Control or Wire controller
Operation temperature		
Indoor(cooling/ heating)	Deg. F	62~90/32~86
Outdoor(cooling/heating)	Deg. F	-13~122/-13~86

INDOOR UNIT DATA

Indoor fan motor		
RLA	A	1.8
LRA	A	\
Winding Resistance	Ω	\
Capacitor	uF	\
Speed(Hi/Mi/Lo)	r/min	1320/1200/1120
Sound dBa (Hi/MiLo)		57/54/52
Static Pressure(MAX.)	Pa	----
Indoor unit		
Dimension(W*D*H)	inch	64.96x26.57x9.25
Packing (W*D*H)	inch	67.91x29.72x12.32
Net/Gross weight	lbs.	83.78/97

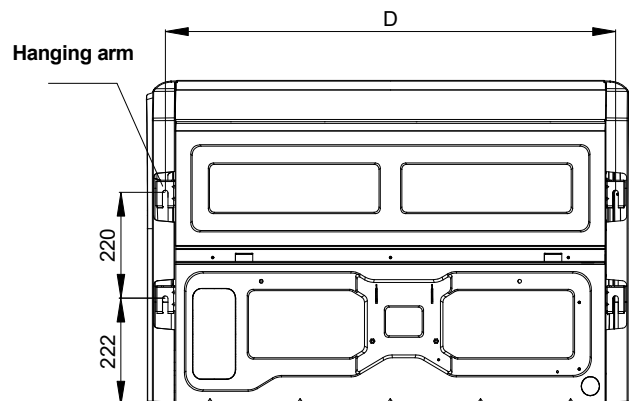
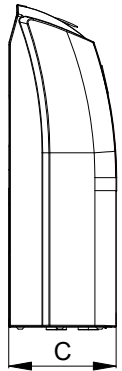
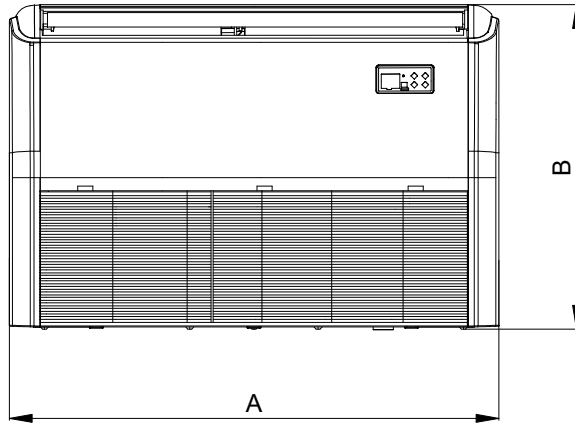
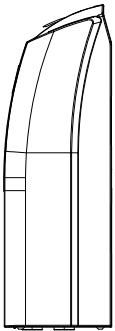
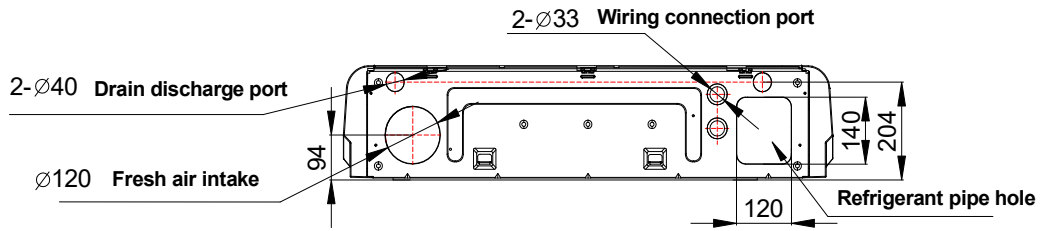
OUTDOOR UNIT DATA

Outdoor fan motor		
RLA	A	----
LRA	A	----
Winding Resistance	Ω	900
Capacitor	uF	0.39
Speed	r/min	----
Outdoor unit		
Dimension(W*D*H)	inch	37.48x16.34x52.48
Packing (W*D*H)	inch	43.11x19.49x58.27
Net/Gross weight	lbs.	217.4/246.0

SYSTEM DATA

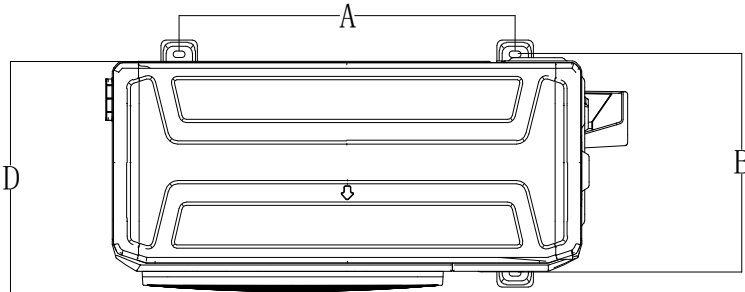
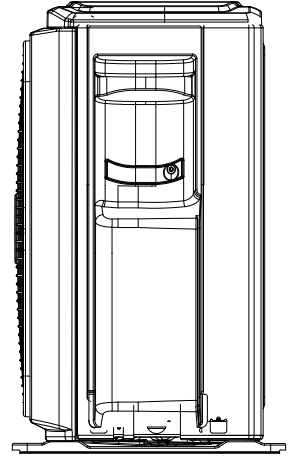
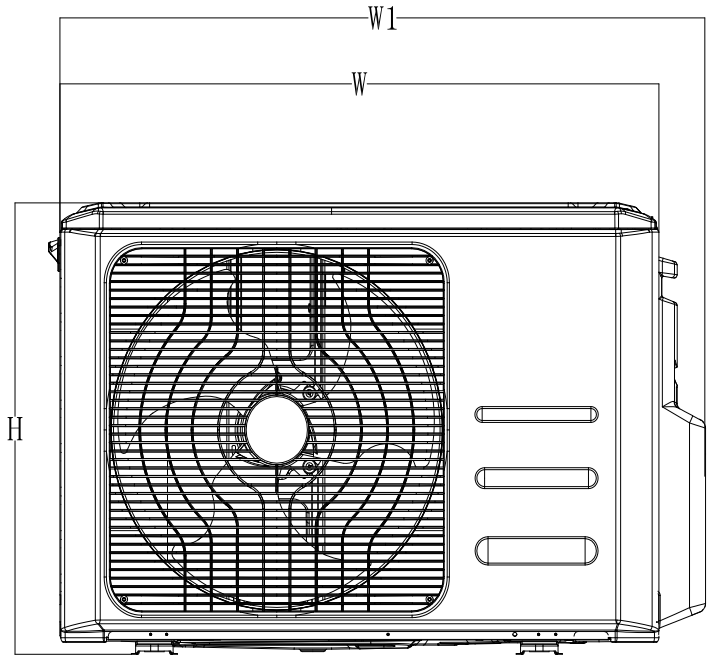
Refrigerant type	oz	R410A/148.2
Additional Refrigerant/ft.	oz	0.32
Design pressure	PSIG	550/340
Refrigerant piping		
Liquid side/ Gas side	mm(inch)	Φ9.52/Φ15.9(3/8"/5/8")
Max. refrigerant pipe length	ft	213
Max. difference in level	ft.	98

INDDOOR UNIT



Capacity		A	B	C	D
48K	mm	1650	675	235	1565
	inch	65.0	26.6	9.3	61.6

OUTDOOR UNIT



size	W	D	H	W1	A	B
inch	37.5	16.3	52.5	41.1	25	15.9