

Project Name:		Approval:	
Location:		Date:	
Engineer:		Construction:	
Submitted to:		Unit #:	
Submitted by:		Drawing #:	
Reference:			

Indoor	CPP018CD(I)
Outdoor	CPP018CD(O)



### PERFORMANCE DATA

Power supply	Ph-V-Hz	208-230V~60Hz ,1Ph
--------------	---------	--------------------

#### Cooling

Capacity	Btu/h	18000
Input	W	1384
Rated current	A	6.1
EER	Btu/w	13
SEER	Btu/w	21

#### Heating

Capacity	Btu/h	18000
Input	W	1570
Rated current	A	6.82
COP	W/W	3.360189963
HSPF4	Btu/w	10
HSPF5	Btu/w	8
MINIMUM CIRCUIT AMPACITY	A	15
MAX.FUSE	A	20
Moisture Removal	L/h	/

#### Compressor Electrical

Model		ASM135D23UFZ
Type		ROTARY
Brand		GMCC
Capacity	Btu/h	13836
Input	W	1035
Rated current(RLA)	A	----
Locked rotor Amp(LRA)	A	----
Thermal protector		----
Thermal protector position		----
Refrigerant oil/oil charge	ml	ESTER OIL VG74/450
Connection wiring		16AWG*4 Stranded, unshielded
Plug type		/
Thermostat type		Remote Control

### INDOOR UNIT DATA

Indoor fan motor		
Model		ZKFP-58-8-1
Brand		Welling
Input		58(Output)
RLA	A	----
LRA	A	----
Winding Resistance	Ω	----
Capacitor	uF	----
Speed(Hi/Mi/Lo)	r/min	1000/800/700
<b>Air flow &amp; Noise level</b>		
Indoor air flow (Hi/Mi/Lo)	CFM	559/365/306
Indoor noise level (Hi/Mi/Lo)	dB(A)	43/38/32

#### Indoor unit

Dimension(W*D*H)	inch	42.52x8.90x13.19
Packing (W*D*H)	inch	45.47x16.34x12.40
Net/Gross weight	lbs.	29.1/37.0

### OUTDOOR UNIT DATA

Outdoor fan motor		
Model		ZKFN-50-8-2
Brand		Welling
Input		50(Output)
RLA	A	----
LRA	A	----
Winding Resistance	Ω	----
Capacitor	uF	----
Speed	r/min	----
<b>Air flow &amp; Noise level</b>		
Outdoor air flow	CFM	1470
Outdoor noise level	dB(A)	61

#### Outdoor unit

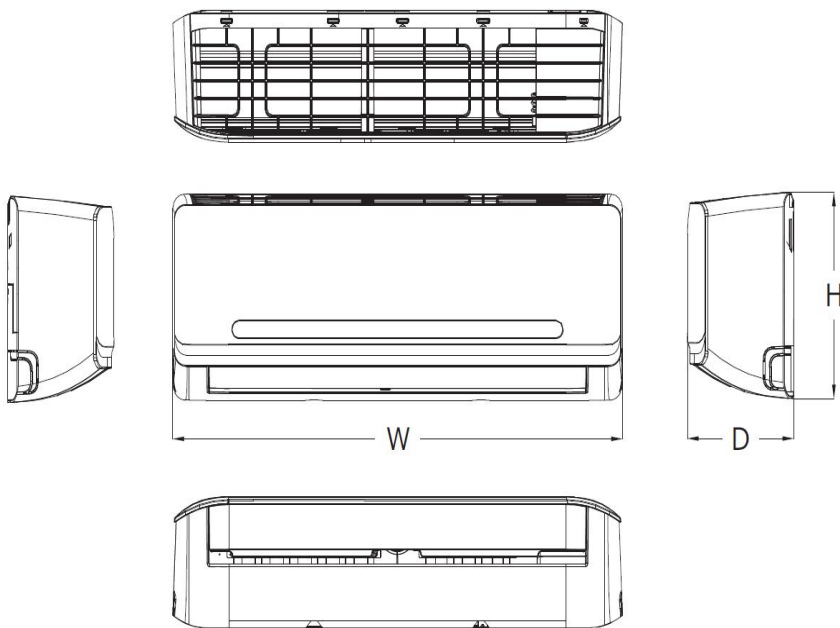
Dimension(W*D*H)	inch	33.27x14.29x27.64
Packing (W*D*H)	inch	38.00x15.55x29.72
Net/Gross weight	lbs.	101.0/108.2

**SYSTEM DATA**

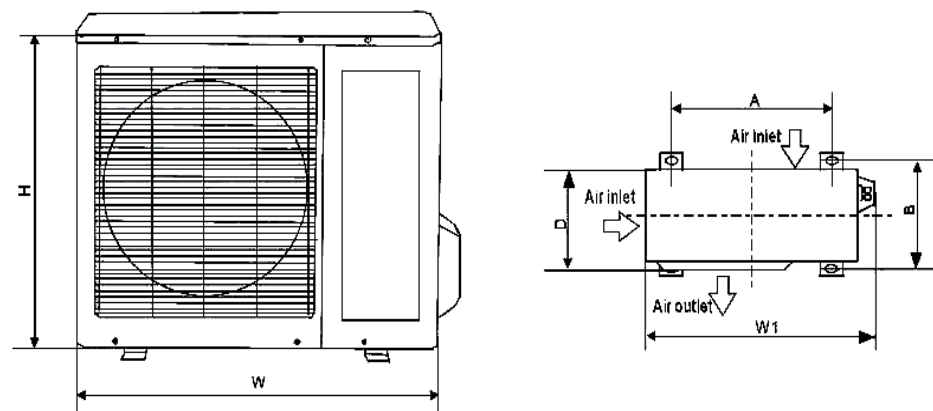
Design pressure	MPa	R410A/1950g
Refrigerant type	oz	25
Refrigerant precharge	ft	0.161
Additional charge per ft.	oz	550/340 PSIG
Liquid side/ Gas side	mm(in)	Φ6.35/Φ12.7(1/4"/1/2")
Max. refrigerant pipe length	ft	98
Max. difference in level	ft.	66
Application area	sq.ft	251-368

**Operation temperature**

Indoor(cooling/ heating)	Deg. F	62 ~ 90/32 ~ 86
Outdoor(cooling/heating)	Deg. F	-13 ~ 122/-13 ~ 86

**INDOOR UNIT**

Model	W (inch)	D (inch)	H (inch)
CPP018CD(I)	42.52	8.9	13.19

**OUTDOOR UNIT**

Model	W (inch)	D (inch)	H (inch)	W1 (inch)	A (inch)	B (inch)
CPP018CD(O)	33.27	14.29	27.64	35.98	21.26	13.78