

| | | | |
|---------------|--|---------------|--|
| Project Name: | | Approval: | |
| Location: | | Date: | |
| Engineer: | | Construction: | |
| Submitted to: | | Unit #: | |
| Submitted by: | | Drawing #: | |
| Reference: | | | |

| | |
|---------|-------------|
| Indoor | CPP024CD(I) |
| Outdoor | CPP024CD(O) |



PERFORMANCE DATA

| | | |
|--------------|---------|---------------------|
| Power supply | Ph-V-Hz | 208-230V~60Hz , 1Ph |
|--------------|---------|---------------------|

Cooling

| | | |
|---------------|-------|-------|
| Capacity | Btu/h | 24000 |
| Input | W | 1920 |
| Rated current | A | 8.4 |
| EER | Btu/w | 12.5 |
| SEER | Btu/w | 20.5 |

Heating

| | | |
|--------------------------|-------|-------------|
| Capacity | Btu/h | 25000 |
| Input | W | 2315 |
| Rated current | A | 10.1 |
| COP | W/W | 3.165045741 |
| HSPF4 | Btu/w | 10 |
| HSPF5 | Btu/w | 8.3 |
| | | |
| MINIMUM CIRCUIT AMPACITY | A | 18 |
| MAX.FUSE | A | 25 |
| Moisture Removal | L/h | / |

Compressor Electrical

| | | |
|----------------------------|-------|------------------------------|
| Model | | ATF235D22UMT |
| Type | | ROTARY |
| Brand | | GMCC |
| Capacity | Btu/h | 24344 |
| Input | W | 1970 |
| Rated current(RLA) | A | ---- |
| Locked rotor Amp(LRA) | A | ---- |
| Thermal protector | | ---- |
| Thermal protector position | | ---- |
| Refrigerant oil/oil charge | ml | ESTER OIL VG74/670 |
| Connection wiring | | 16AWG*4 Stranded, unshielded |
| Plug type | | / |
| Thermostat type | | Remote Control |

INDOOR UNIT DATA

| | | |
|-----------------------------------|-------|--------------|
| Indoor fan motor | | |
| Model | | ZKFN-120-8-2 |
| Brand | | Welling |
| Input | | 150 |
| RLA | A | ---- |
| LRA | A | ---- |
| Winding Resistance | Ω | ---- |
| Capacitor | uF | ---- |
| Speed(Hi/Mi/Lo) | r/min | 1100/900/700 |
| Air flow & Noise level | | |
| Indoor air flow (Hi/Mi/Lo) | CFM | 618/471/324 |
| Indoor noise level (Hi/Mi/Lo) | dB(A) | 47.5/42/33 |

Indoor unit

| | | |
|------------------|------|-------------------|
| Dimension(W*D*H) | inch | 42.52x8.90x13.19 |
| Packing (W*D*H) | inch | 45.47x16.34x12.40 |
| Net/Gross weight | lbs. | 29.1/37.0 |

OUTDOOR UNIT DATA

| | | |
|-----------------------------------|-------|--------------|
| Outdoor fan motor | | |
| Model | | ZKFN-120-8-2 |
| Brand | | Welling |
| Input | | 150 |
| RLA | A | ---- |
| LRA | A | ---- |
| Winding Resistance | Ω | ---- |
| Capacitor | uF | ---- |
| Speed | r/min | ---- |
| Air flow & Noise level | | |
| Outdoor air flow | CFM | 2355 |
| Outdoor noise level | dB(A) | 61 |

Outdoor unit

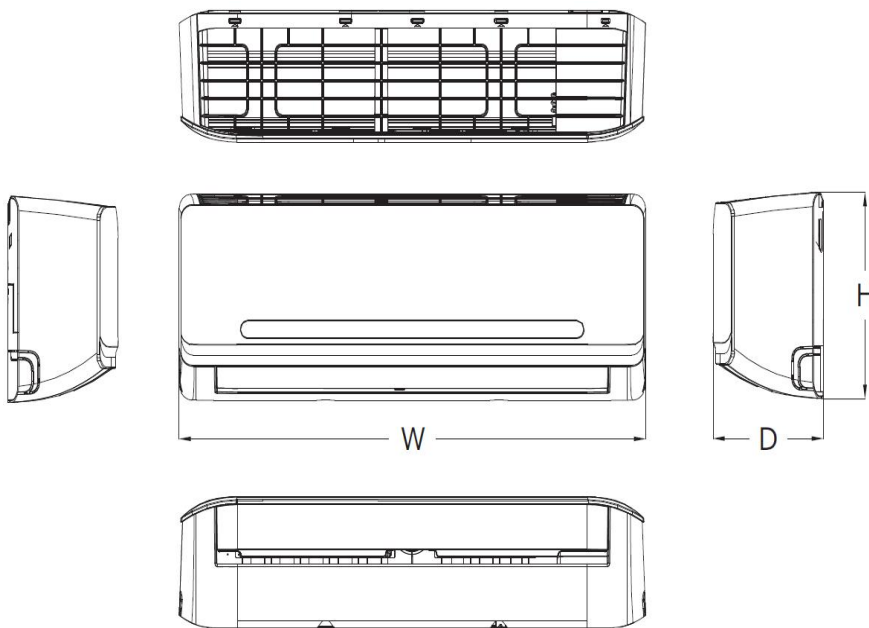
| | | |
|------------------|------|-------------------|
| Dimension(W*D*H) | inch | 37.24x16.14x31.89 |
| Packing (W*D*H) | inch | 42.91x19.69x34.45 |
| Net/Gross weight | lbs. | 136.69/147.27 |

SYSTEM DATA

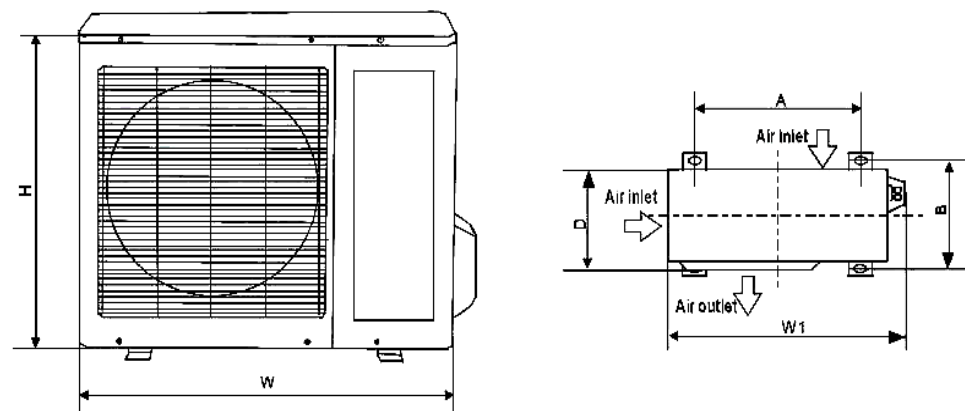
| | | |
|------------------------------|--------|------------------------|
| Design pressure | MPa | R410A/2350g |
| Refrigerant type | oz | 25 |
| Refrigerant precharge | ft | 0.322 |
| Additional charge per ft. | oz | 550/340 PSIG |
| Liquid side/ Gas side | mm(in) | Φ9.52/Φ15.9(3/8"/5/8") |
| Max. refrigerant pipe length | ft | 164 |
| Max. difference in level | ft. | 82 |
| Application area | sq.ft | 330-484 |

Operation temperature

| | | |
|--------------------------|--------|--------------------|
| Indoor(cooling/ heating) | Deg. F | 62 ~ 90/32 ~ 86 |
| Outdoor(cooling/heating) | Deg. F | -13 ~ 122/-13 ~ 86 |
| | | |

INDOOR UNIT

| Model | W (inch) | D (inch) | H (inch) |
|-------------|----------|----------|----------|
| CPP024CD(I) | 42.52 | 8.9 | 13.19 |

OUTDOOR UNIT

| Model | W (inch) | D (inch) | H (inch) | W1 (inch) | A (inch) | B (inch) |
|-------------|----------|----------|----------|-----------|----------|----------|
| CPP024CD(O) | 37.24 | 16.14 | 31.89 | 40.55 | 26.50 | 15.87 |