

| | |
|---------------|--|
| Project Name: | |
| Location: | |
| Engineer: | |
| Submitted to: | |
| Submitted by: | |
| Reference: | |

| | |
|---------------|--|
| Approval: | |
| Date: | |
| Construction: | |
| Unit #: | |
| Drawing #: | |

| | |
|---------------|-------------|
| Indoor model | TPA-09 |
| Outdoor model | CPP009CD(O) |



PERFORMANCE DATA

| | | |
|----------------------------|---------|----------------------|
| Power supply | Ph-V-Hz | 208-230V~ 60Hz , 1Ph |
| Cooling | | |
| Capacity | Btu/h | 9000 |
| Input | W | 692 |
| Rated current | A | 3.0 |
| EER | Btu/W | 13 |
| SEER | | 20 |
| Heating | | |
| Capacity | Btu/h | 10000 |
| Input | W | 850 |
| HSPF4 | | 10.5 |
| HSPF5 | | 8.4 |
| heating at 5 F (-15°C) | Btu/h | #REF! |
| MINIMUM CIRCUIT | A | 10 |
| MAX.FUSE | A | 15 |
| Moisture Removal | L/h | 1 |
| Starting current | A | ---- |
| Rated current(RLA) | A | 5.5 |
| Locked rotor Amp(LRA) | A | ---- |
| Thermal protector | | ---- |
| Thermal protector position | | INTERNAL |
| Capacitor | uF | ---- |
| Refrigerant oil | ml | ESTER OIL VG74/370 |
| Connection wiring | | |

| | | |
|-----------------|--|----------------|
| Thermostat type | | Remote Control |
|-----------------|--|----------------|

| | | |
|------------------------------|--------|-----------------|
| Operation temperature | | |
| Indoor(cooling/ heating) | Deg. F | 62~90/32~86 |
| Outdoor(cooling/heating) | Deg. F | -22~122/ -22~86 |

INDOOR UNIT DATA

| | | |
|-------------------------|-------|-------------------|
| Indoor fan motor | | |
| RLA | A | 0.9 |
| LRA | A | ---- |
| Winding Resistance | Ω | ---- |
| Capacitor | uF | ---- |
| Speed(Hi/Mi/Lo) | r/min | 600/520/460 |
| Sound dBa (Hi/Mi/Lo) | | 41/37/33 |
| Static Pressure(MAX.) | Pa | ---- |
| Indoor unit | | |
| Dimension(W*D*H) body | inch | 22.44x22.44x10.24 |
| Packing (W*D*H) body | inch | 25.79x25.79x11.42 |
| Net/Gross weight body | lbs. | 31.97/38.14 |
| Dimension(W*D*H) panel | inch | 25.47x25.47x1.97 |
| Packing (W*D*H) panel | inch | 28.15x28.15x4.84 |
| Net/Gross weight panel | lbs. | 5.51/9.92 |

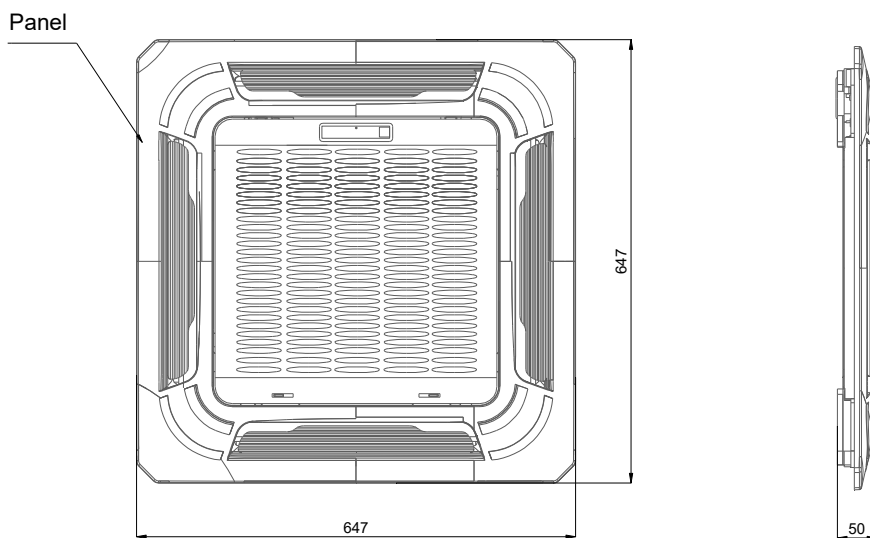
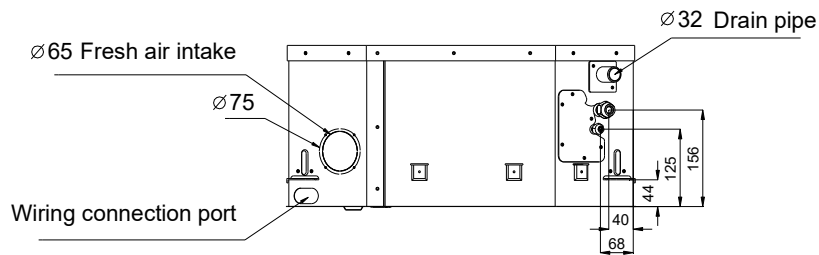
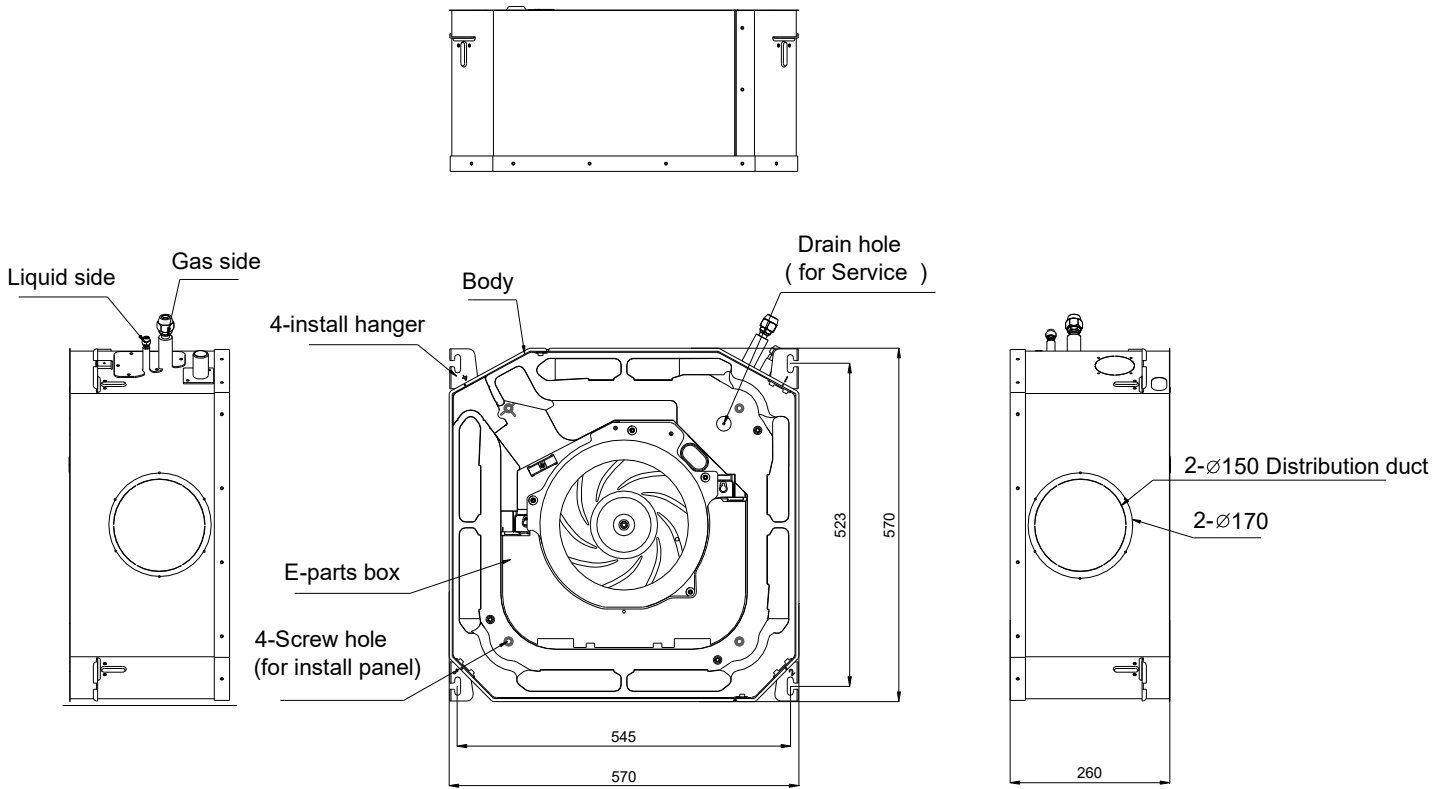
OUTDOOR UNIT DATA

| | | |
|--------------------------|-------|-------------------|
| Outdoor fan motor | | |
| RLA | A | 0.4 |
| LRA | A | ---- |
| Winding Resistance | Ω | ---- |
| Capacitor | uF | ---- |
| Speed | r/min | 800 |
| Outdoor unit | | |
| Dimension(W*D*H) | inch | 30.31x11.81x21.85 |
| Packing (W*D*H) | inch | 35.43x13.58x23.03 |
| Net/Gross weight | lbs. | 5.51/9.92 |

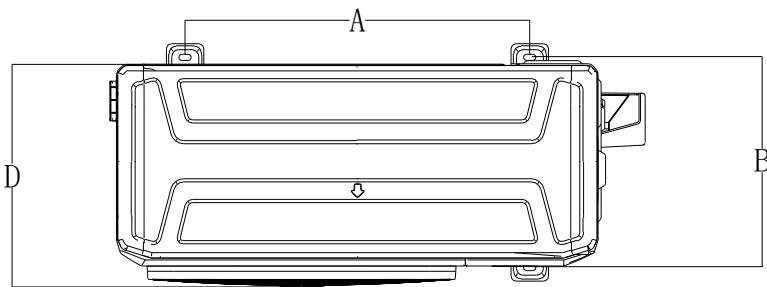
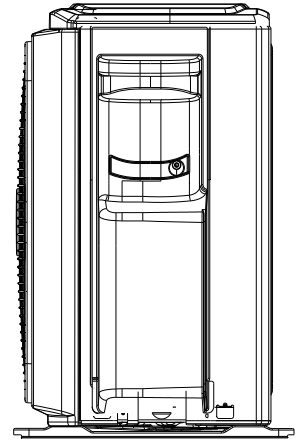
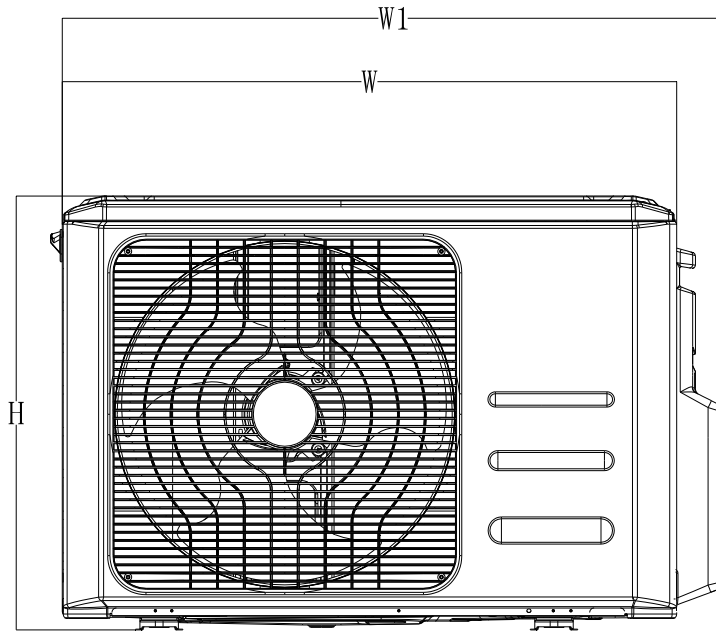
SYSTEM DATA

| | | |
|------------------------------|----------|------------------------|
| Refrigerant type | oz | R410A/38.8 |
| Additional Refrigerant/ft. | oz | 0.16 |
| Design pressure | PSIG | 550/340 |
| Refrigerant piping | | |
| Liquid side/ Gas side | mm(inch) | Φ6.35/Φ9.52(1/4"/3/8") |
| Max. refrigerant pipe length | ft | 82 |
| Max. difference in level | ft. | 33 |

INDOOR UNIT



OUTDOOR UNIT



| SIZE | W | D | H | W1 | A | B |
|------|------|------|------|------|------|------|
| inch | 31.5 | 13.1 | 21.8 | 34.3 | 20.2 | 13.4 |