

Sale Model:

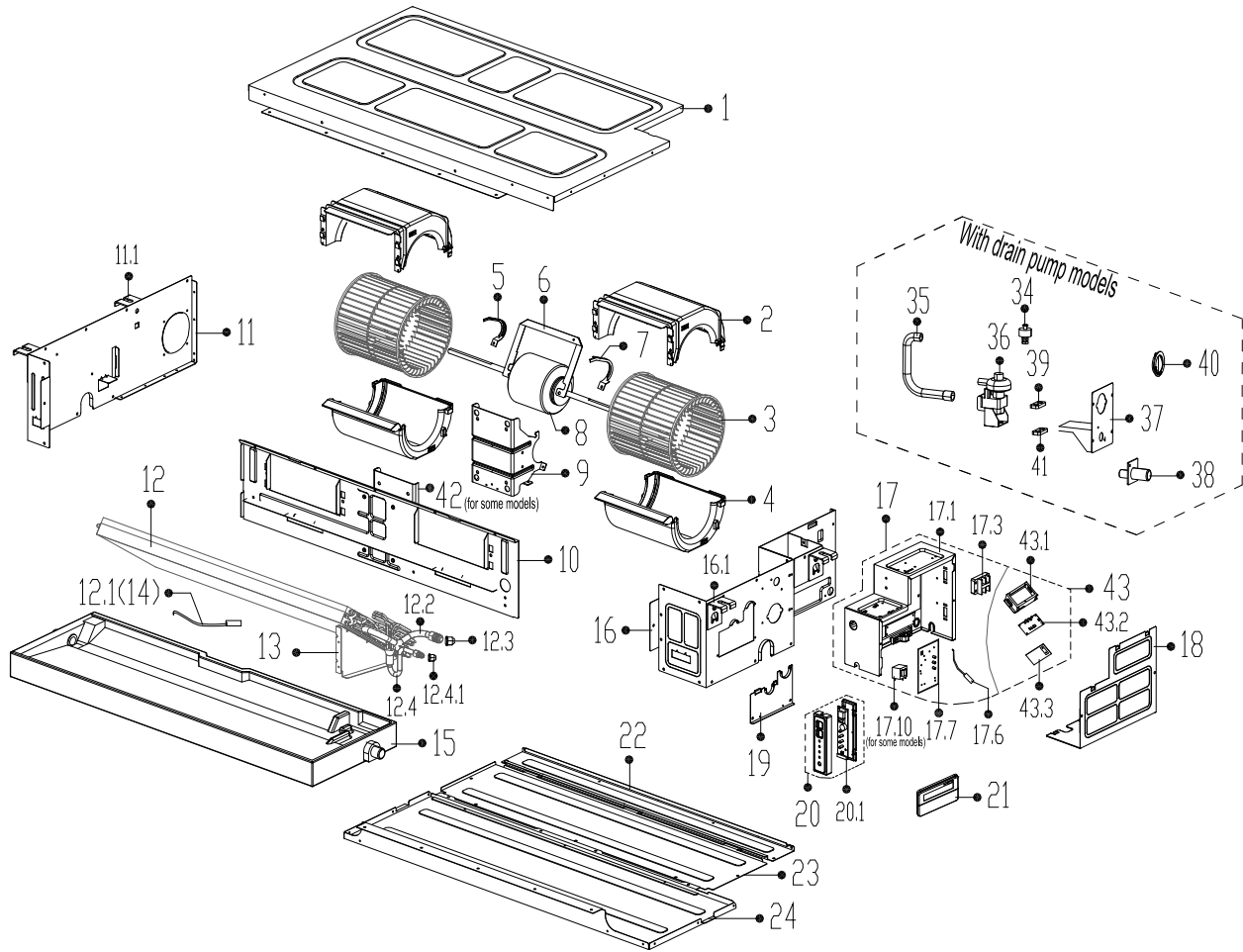
CPA-12

Power Supply:

208-230V~ 60Hz 1Phase

Export Time:

2016-03-04 15:58:22



No.	Part Name	Quantity	BOM Code
1	Chassis assembly	1	12223000000502
2	Up volute shell	2	12123000000026
3	Centrifugal fan	2	12100103000077
4	Below volute shell	2	12123000000021
5	Fan motor axes clamp (left)	1	12222500000253
6	Fan motor fixing board	1	12222300000230
7	Fan motor axes clamp (right)	1	12222500000255
8	Asynchronous motor	1	11002015000043
9	Supporter of fan motor	1	12223000000567
10	Middle beam assembly	1	12223000000232
11	Left clapboard assembly	1	12223000000117
12	Evaporator assembly	1	15823000000014
12.2	Output pipe assembly	1	15123000000274
12.3	Copper nut	1	15500406000012
12.4	Input pipe assembly	1	15123000000334
12.4.1	Copper nut	1	15500406000016
13	Evaporator right support board assembly	1	12223000000290
14	Pipe temperature sensor assembly	1	11201007000136
15	Water collector	1	12823000000003

No.	Part Name	Quantity	BOM Code
16	Right clapboard assembly	1	12223000000077
17	Electronic control box assembly	1	17223000003438
17.1	Electronic control box	1	12223000000045
17.3	Wire joint	1	17400401000006
17.6	Ambient temperature sensor assembly	1	11201007000143
17.7	Main control board assembly	1	17123000000073
18	Cover of electronic control box	1	12223000000059
19	Pipe clamp board assembly	1	12223000000524
20	Display box assembly	1	17223000000003
20.1	Display board assembly	1	17123000000096
21	Wired controller	1	17317100A00214
22	Rear beam	1	12223000000260
23	Rear cover assembly	1	12223000000211
24	Top cover assembly	1	12223000000200
43	Electronic control box assembly	1	17222700000159
43.1	Electronic control box	1	12223000000052
43.2	Inverter control board assembly	1	17122000008562
43.3	Radiator	1	11203803000154
50	Remoted controller	1	17317000000099