

Sale Model:

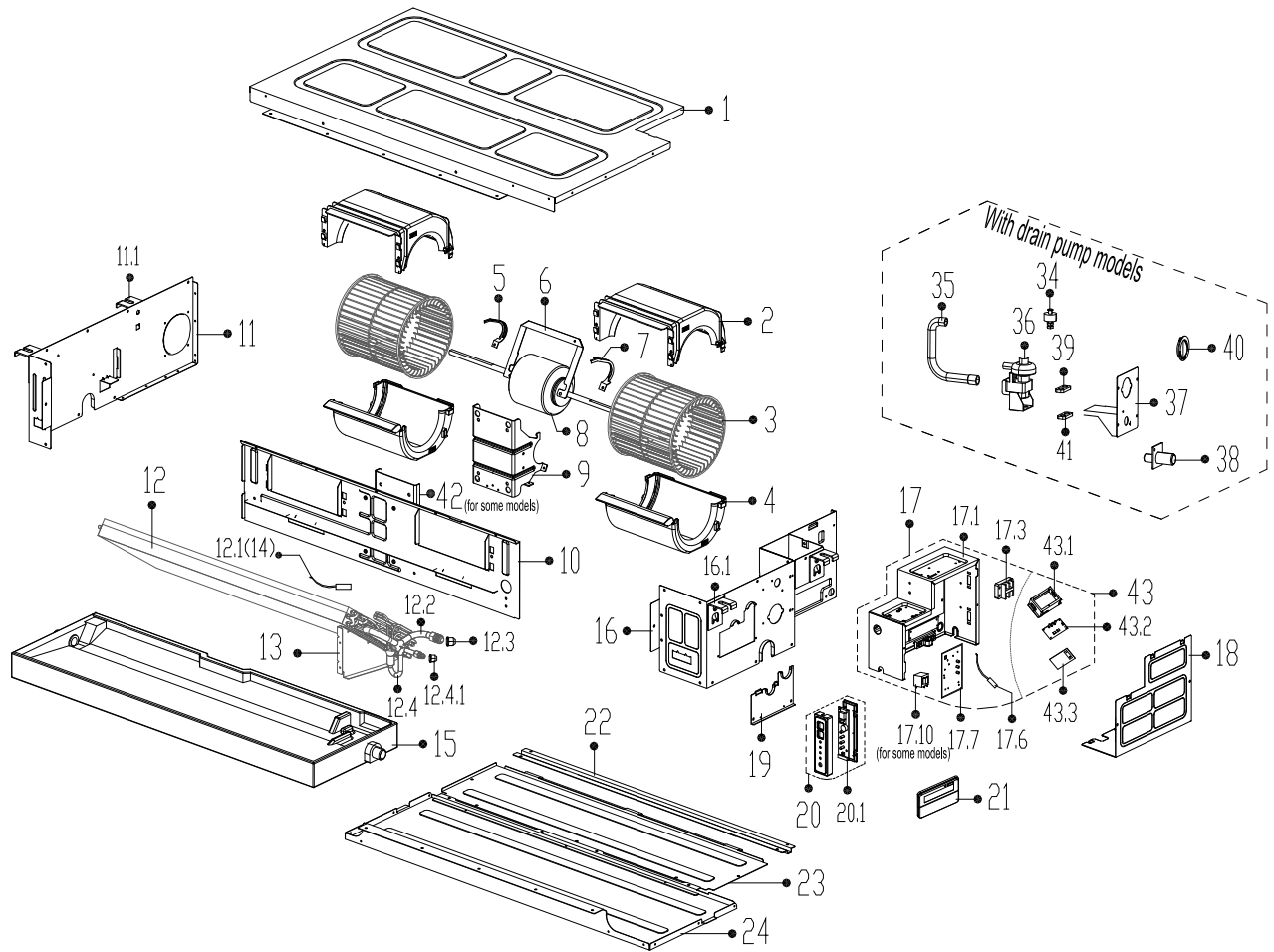
CPA-24

Power Supply:

208-230V~ 60Hz 1Phase

Export Time:

2016-04-16 14:42:48



No.	Part Name	Quantity	BOM Code
1	Chassis assembly	1	12223000000515
2	Up volute shell	2	12123000000024
3	Centrifugal fan	2	12100103000079
4	Below volute shell	2	12123000000022
5	Fan motor axes clamp (left)	1	12222500000253
6	Fan motor fixing board	1	12223000000537
7	Fan motor axes clamp (right)	1	12222500000255
8	Asynchronous motor	1	11002015000344
9	Supporter of fan motor	1	12223000000559
10	Middle beam assembly	1	12223000000233
11	Left clapboard assembly	1	12223000000122
12	Evaporator assembly	1	15823000A00019
12.1	Pipe temperature sensor assembly	1	11201007000136
12.2	Output pipe assembly	1	15123000000280
12.3	Copper nut	1	15500406000003
12.4	Input pipe assembly	1	15123000000340
13	Evaporator right support board assembly	1	12223000000291
15	Water collector	1	12823000000001
16	Right clapboard assembly	1	12223000000079

No.	Part Name	Quantity	BOM Code
17	Electronic control box assembly	1	17223000003439
17.1	Electronic control box	1	12223000000046
17.3	Wire joint	1	17400401000006
17.6	Ambient temperature sensor assembly	1	11201007000073
17.7	Main control board assembly	1	17123000000118
18	Cover of electronic control box	1	12223000000060
19	Pipe clamp board assembly	1	12223000000524
20	Display box assembly	1	17223000000003
20.1	Display board assembly	1	17123000000096
21	Wired controller	1	17317100A09246
22	Rear beam	1	12223000000263
23	Rear cover assembly	1	12223000000217
24	Top cover assembly	1	12223000000199
42	Fan motor fixing base	1	12223000000547
43	Electronic control box assembly	1	17222700000162
43.1	Electronic control box	1	12223000000052
43.2	Inverter control board assembly	1	17122000008498
43.3	Radiator	1	11203803000154
50	Remoted controller	1	17317000A00646