

Project Name:		Approval:	
Location:		Date:	
Engineer:		Construction:	
Submitted to:		Unit #:	
Submitted by:		Drawing #:	
Reference:			

Indoor	CPG009CA(I)
Outdoor	CPG009CA(O)



PERFORMANCE DATA

Power supply	Ph-V-Hz	115V~ 60Hz ,1Ph
--------------	---------	-----------------

Cooling

Capacity	Btu/h	9000
Input	W	782
Rated current	A	6.8
EER	Btu/w	11.5
SEER	Btu/w	17

Heating

Capacity	Btu/h	9500
Input	W	925
Rated current	A	8.0
COP	W/W	3.01
HSPF4	Btu/w	9
HSPF5	Btu/w	7.6
MINIMUM CIRCUIT AMPACITY	A	15
MAX.FUSE	A	20
Moisture Removal	L/h	/

Compressor Electrical

Model		ASN98D22UFZ
Type		ROTARY
Brand		GMCC
Capacity	Btu/h	10014
Input	W	748
Rated current(RLA)	A	9.0
Locked rotor Amp(LRA)	A	----
Thermal protector		----
Thermal protector position		----
Refrigerant oil/oil charge	ml	ESTER OIL VG74-370
Connection wiring		16#4 Stranded, unshielded
Thermostat type		Remote Control

SYSTEM DATA

Design pressure	MPa	R410A/799g
Refrigerant type	oz	25
Refrigerant precharge	ft	0.161
Additional charge per ft.	oz	550/340 PSIG
Liquid side/ Gas side	mm(in)	Φ6.35/Φ9.52(1/4"/3/8")
Max. refrigerant pipe length	ft	82
Max. difference in level	ft.	33
Application area	sq.ft	129-189

INDOOR UNIT DATA

Indoor fan motor		
Model		ZKFP-20-8-5
Brand		Welling
Input		25
RLA	A	0.3
LRA	A	----
Winding Resistance	Ω	----
Capacitor	uF	----
Speed(Hi/Mi/Lo)	r/min	1050/850/650
Air flow & Noise level		
Indoor air flow (Hi/Mi/Lo)	CFM	247/176/129
Indoor noise level (Hi/Mi/Lo)	dB(A)	39/-/24.5

Indoor unit

Dimension(W*D*H)	inch	28.43x7.36x11.42
Packing (W*D*H)	inch	31.10x10.63x14.57
Net/Gross weight	lbs.	16.5/20.9

OUTDOOR UNIT DATA

Outdoor fan motor		
Model		YKT-32-6-202L
Brand		Welling
Input		80.2/69.4
RLA	A	0.7
LRA	A	0.85
Winding Resistance	Ω	60/93.5
Capacitor	uF	6UF/450V
Speed	r/min	850 / -- /730
Air flow & Noise level		
Outdoor air flow	CFM	1060
Outdoor noise level	dB(A)	56

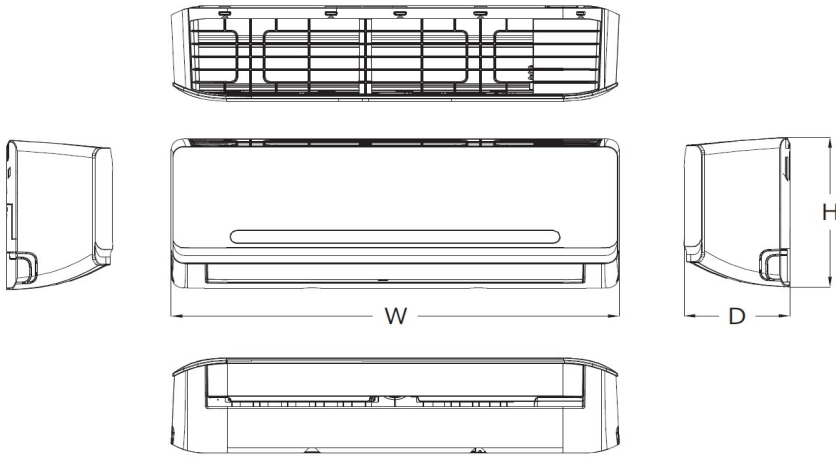
Outdoor unit

Dimension(W*D*H)	inch	30.31x11.81x21.85
Packing (W*D*H)	inch	35.43x13.58x23.03
Net/Gross weight	lbs.	63.9/69.4

Operation temperature

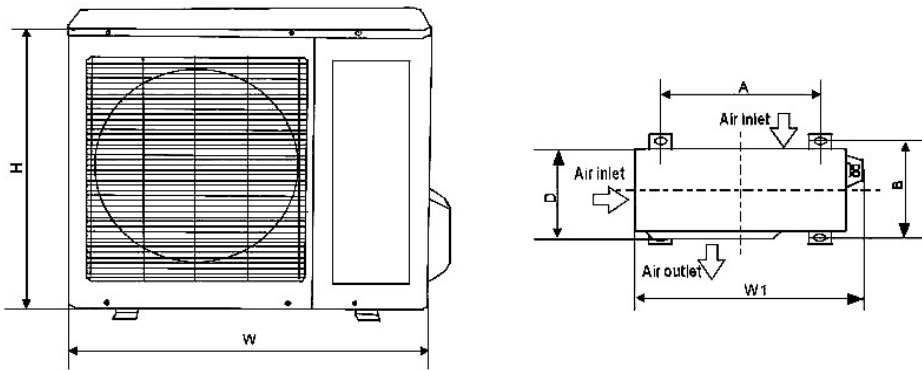
Indoor(cooling/ heating)	Deg. F	62~90/32~86
Outdoor(cooling/heating)	Deg. F	5~122/5~86

INDOOR UNIT



Model	W (inch)	D (inch)	H (inch)
CPG009CA(I)	28.43	7.36	11.42

OUTDOOR UNIT



Model	W (inch)	D (inch)	H (inch)	W1 (inch)	A (inch)	B (inch)
CPG009CA(O)	30.31	11.81	21.85	33.07	19.17	11.73