

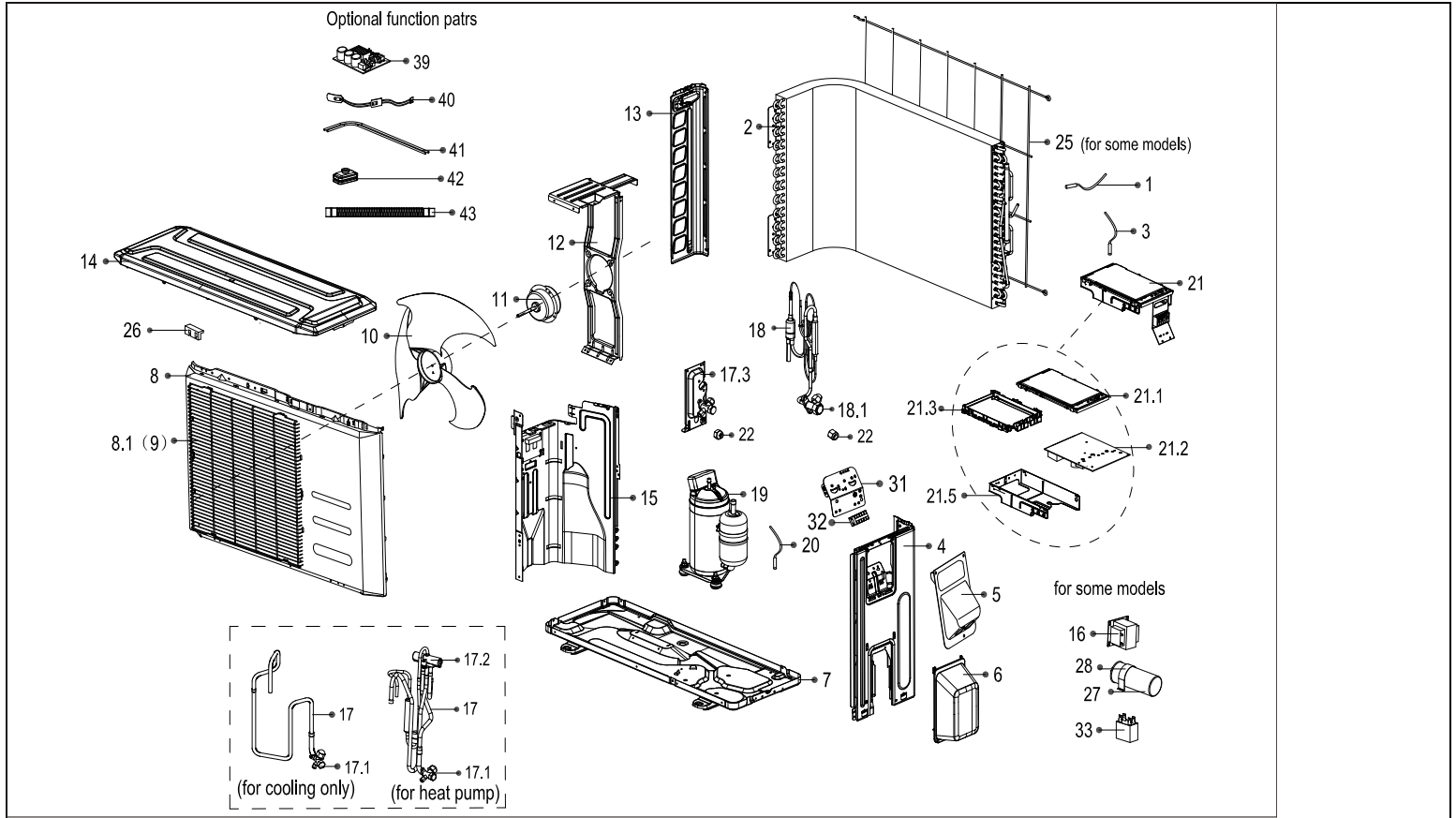
Sale Model:

CPG009CA(O)

Power Supply:

115V_1Ph,FREQUENCY_60HZ

Export Time: 2015-12-25 18:26:46



No.	Part Name	Quantity	BOM Code
1	Ambient temperature sensor assembly	1	11201007000039
2	Condenser assembly	1	15822000003596
3	Pipe temperature sensor assembly	1	11201007000136
4	Right clapboard assembly	1	12222000006249
5	Big handle	1	12222000005102
6	Water collector	1	12122000007150
7	Chassis assembly	1	12222000006485
8	Front panel	1	12222000004842
9	Air outlet grille	1	12222000007424
10	Axial flow fan	1	12100105000057
11	Fan Motor	1	11002012009440
12	Supporter assembly of fan motor	1	12222000004184
13	Left supporter	1	12222000006244
14	Top cover assembly	1	12222000006246
15	Partition board assembly	1	12222000006484
16	Reactor	1	17400306000019
17	4-Ways valve assembly	1	15422000005174
17.1	Gas valve	1	15500204000021
17.2	4-Ways valve	1	15500216000341
17.3	Valve plate	2	12222000002571
18	Liquid valve assembly	1	15422000004812
18.1	Liquid valve	1	15500208000028
19	Compressor	1	11103020000034
20	Discharge temperature sensor assembly	1	11201007000005
21	Electronic control box assembly	1	17222000A16649

No.	Part Name	Quantity	BOM Code
21.1	Cover of electronic control box	1	12222000001455
21.2	Outdoor power board assembly	1	17122000A13694
21.3	Support of electronic control box	1	12122000006913
21.5	Electronic installing box	1	12222000001311
22	Copper nut	1	15500406000010
22	Copper nut	1	15500406000016
25	Rear net	1	12222000003986
27	Capacitor of compressor	1	17400103000052
28	Capacitor clip	1	12200203000019
31	Terminal board	1	12222000002259
32	Wire joint	1	17400401000035
33	Capacitor	1	17400103000052
40	Crankcase electric heater	1	17402001A00008