

Sale Model:

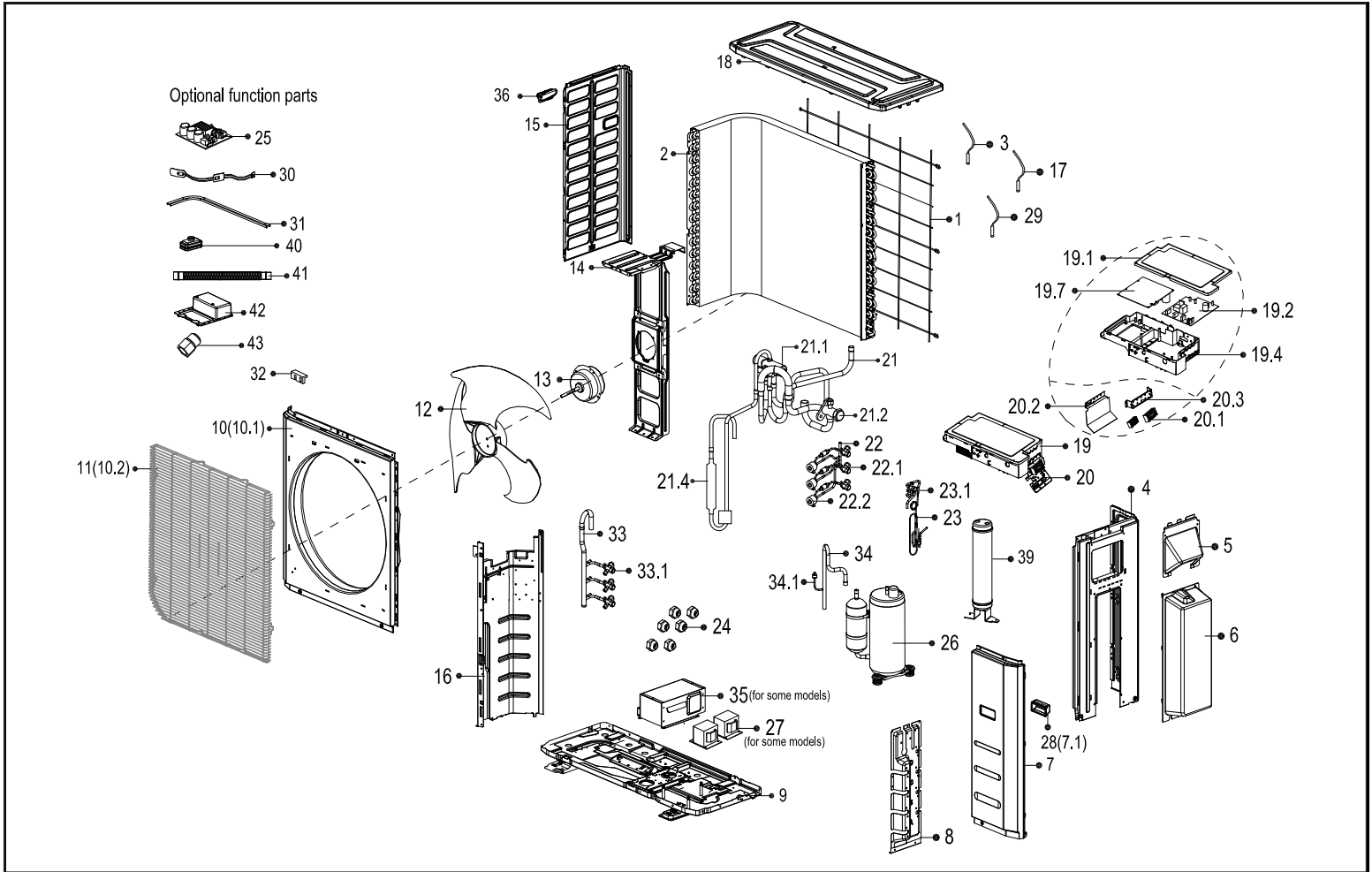
CM3-27-3Z

Power Supply:

208-230V_1Ph,60HZ

Export Time:

2016-03-04 15:44:03



No.	Part Name	Quantity	BOM Code
-----	-----------	----------	----------

1	Rear net	1	12222000006604
2	Condenser assembly	1	15822700A01013
3	Pipe temperature sensor assembly	1	11201007000006
3	Pipe temperature sensor assembly	1	11201007000044
4	Rear right clapboard assembly	1	12222300000510
5	Big handle	1	12222300000529
6	Water collector	1	12122300000110
7	Front right clapboard assembly	1	12222500000633
7.1	Handle	1	12100702000038
8	Valve plate	1	12222000005282
9	Chassis assembly	1	12222000006984
10	Front panel	1	12222000004983
11	Air outlet grille	1	12222200000907
12	Axial flow fan	1	12100105000084
13	Brushless DC motor	1	11002015000247
14	Supporter assembly of fan motor	1	12222000005162
15	Left side plate assembly of cabinet	1	12222000006665

No.	Part Name	Quantity	BOM Code
16	Partition board assembly	1	12222200001156
17	Ambient temperature sensor assembly	1	11201007000039
18	Top cover assembly	1	12222500000541
19	Electronic control box assembly	1	17222300000730
19.1	Cover of electronic control box	1	12122000006905
19.2	Outdoor main control board assembly	1	17122300001094
19.2	Outdoor main control board assembly	1	17122300001552
19.4	Electronic installing box	1	12122300000170
20	Terminal board assembly	1	17222300000729
20.1	Wire joint	2	17400401000135
20.2	Terminal board	1	12222300000033
20.3	Terminal board	1	12222300000032
21	4-ways valve assembly	1	15422300000604
21.1	4-ways valve	1	15500216000361
21.2	Gas valve	1	15500204000049
21.4	Muffler	1	15500506000007
22	liquid valve assembly	1	15422300000404
22.1	Liquid valve	3	15500208000028
22.2	Electronic expansion valve assembly	3	15500213000046
23	liquid valve assembly	1	15422300000405
23.1	Liquid valve	1	15500208000047
24	Copper nut	3	15500406000010
24	Copper nut	3	15500406000012
24	Copper nut	3	15500406000016
26	Compressor	1	11103020000179
27	Reactor	1	17400306000058
27	Reactor	1	17400306000070
29	Discharge temperature sensor assembly	1	11201007000246
31	Crankcase electric heater	1	17402001000119
32	Clamp of front net	8	12122000006844
33	Gas valve assembly	1	15422300000406
33.1	Gas valve	3	15500204000021
34	Suction pipe assembly	1	15122300001047
39	Accumulator cylinder	1	15500508000315
43	Transfer connector	3	15500307000001