

Sale Model:

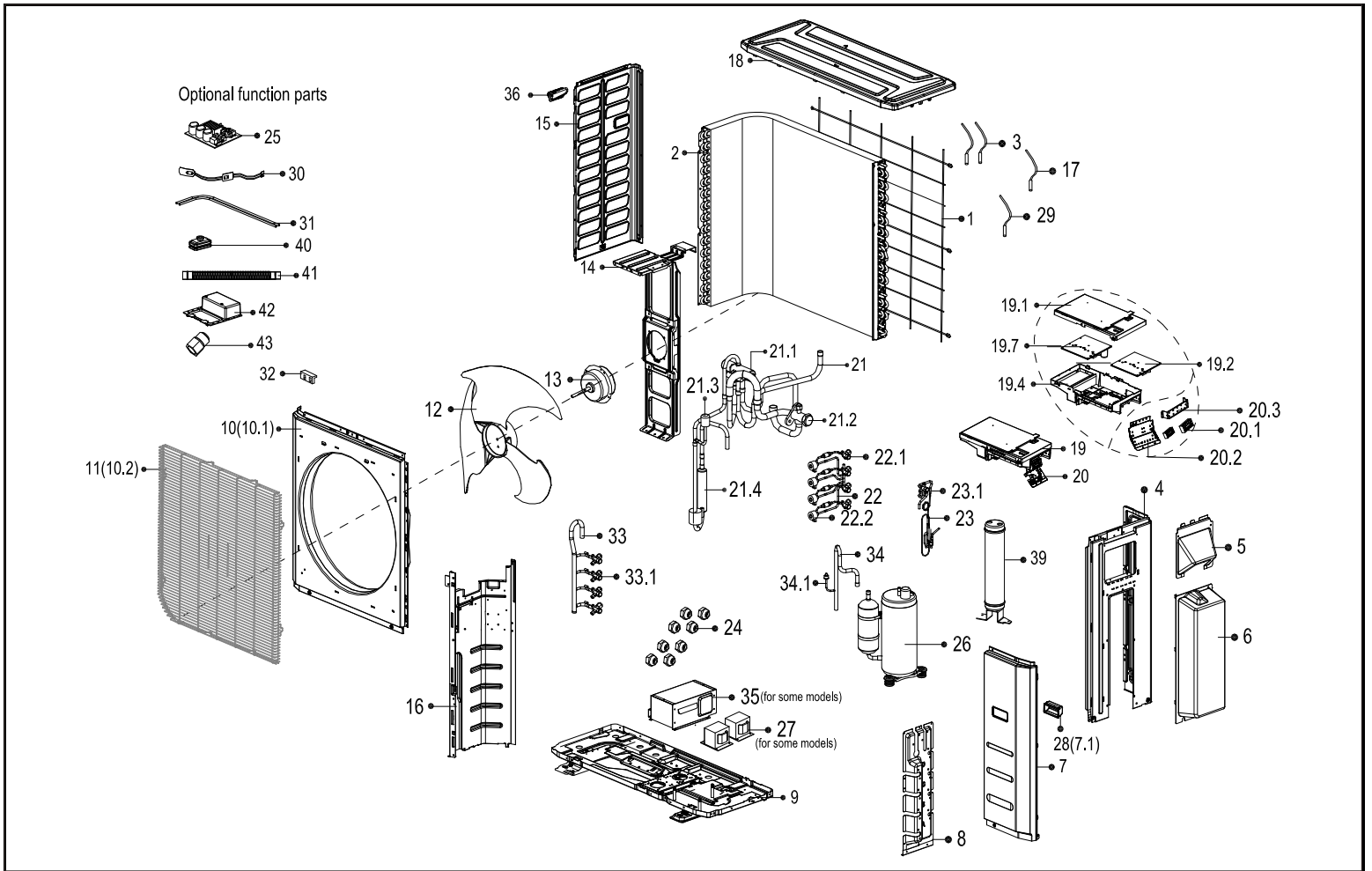
CM4-48-4Z

Power Supply:

208And230V_1Ph,60HZ

Export Time:

2016-03-04 15:45:49



No.	Part Name	Quantity	BOM Code
-----	-----------	----------	----------

1	Rear net	1	12222000006604
2	Condenser assembly	1	15822000A05892
3	Pipe temperature sensor assembly	1	11201007000006
3	Pipe temperature sensor assembly	1	11201007000007
4	Rear right clapboard assembly	1	12222300000510
5	Big handle	1	12222300000529
6	Water collector	1	12122300000110
7	Front right clapboard assembly	1	12222500000633
7.1	Handle	1	12100702000038
8	Valve plate	1	12222000005282
9	Chassis assembly	1	12222000006984
10	Front panel	1	12222000004983
11	Air outlet grille	1	12222200000907
12	Axial flow fan	1	12100105000084
13	Brushless DC motor	1	11002015000247
14	Supporter assembly of fan motor	1	12222000005162
15	Left side plate assembly of cabinet	1	12222000006665

No.	Part Name	Quantity	BOM Code
16	Partition board assembly	1	12222200001158
17	Ambient temperature sensor assembly	1	11201007000039
18	Top cover assembly	1	12222500000587
19	Electronic control box assembly	1	17222300000791
19.1	Cover of electronic control box	1	12122200002719
19.2	Outdoor main control board assembly	1	17122300001154
19.4	Electronic installing box	1	12122200002715
19.7	Inverter control board assembly	1	17122500001174
20	Terminal board assembly	1	17222300000790
20.1	Wire joint	1	17400401000084
20.1	Wire joint	1	17400401000135
20.2	Terminal board	1	12222300000033
20.3	Terminal board	1	12222300000032
21	4-ways valve assembly	1	15422300000347
21.1	4-ways valve	1	15500216000361
21.2	Gas valve	1	15500204000049
21.3	Pressure switch	1	17400516000020
21.4	Muffler	1	15500506000007
22	liquid valve assembly	1	15422300000364
22.1	Liquid valve	4	15500208000028
22.2	Electronic expansion valve assembly	4	15500213000046
23	liquid valve assembly	1	15422300000346
23.1	Liquid valve	1	15500208000047
24	Copper nut	3	15500406000010
24	Copper nut	4	15500406000012
24	Copper nut	4	15500406000016
26	Compressor	1	11103020000439
28	Handle	1	12100702000047
29	Discharge temperature sensor assembly	1	11201007000157
31	Crankcase electric heater	1	17402001000119
32	Clamp of front net	8	12122000006844
33	Gas valve assembly	1	15422300000365
33.1	Gas valve	3	15500204000021
33.1	Gas valve	1	15500204000058
34	Suction pipe assembly	1	15122300001024
34.1	Pressure switch	1	17400516000024
39	Accumulator cylinder	1	15500508000315
43	Transfer connector	3	15500307000001