

Sale Model:

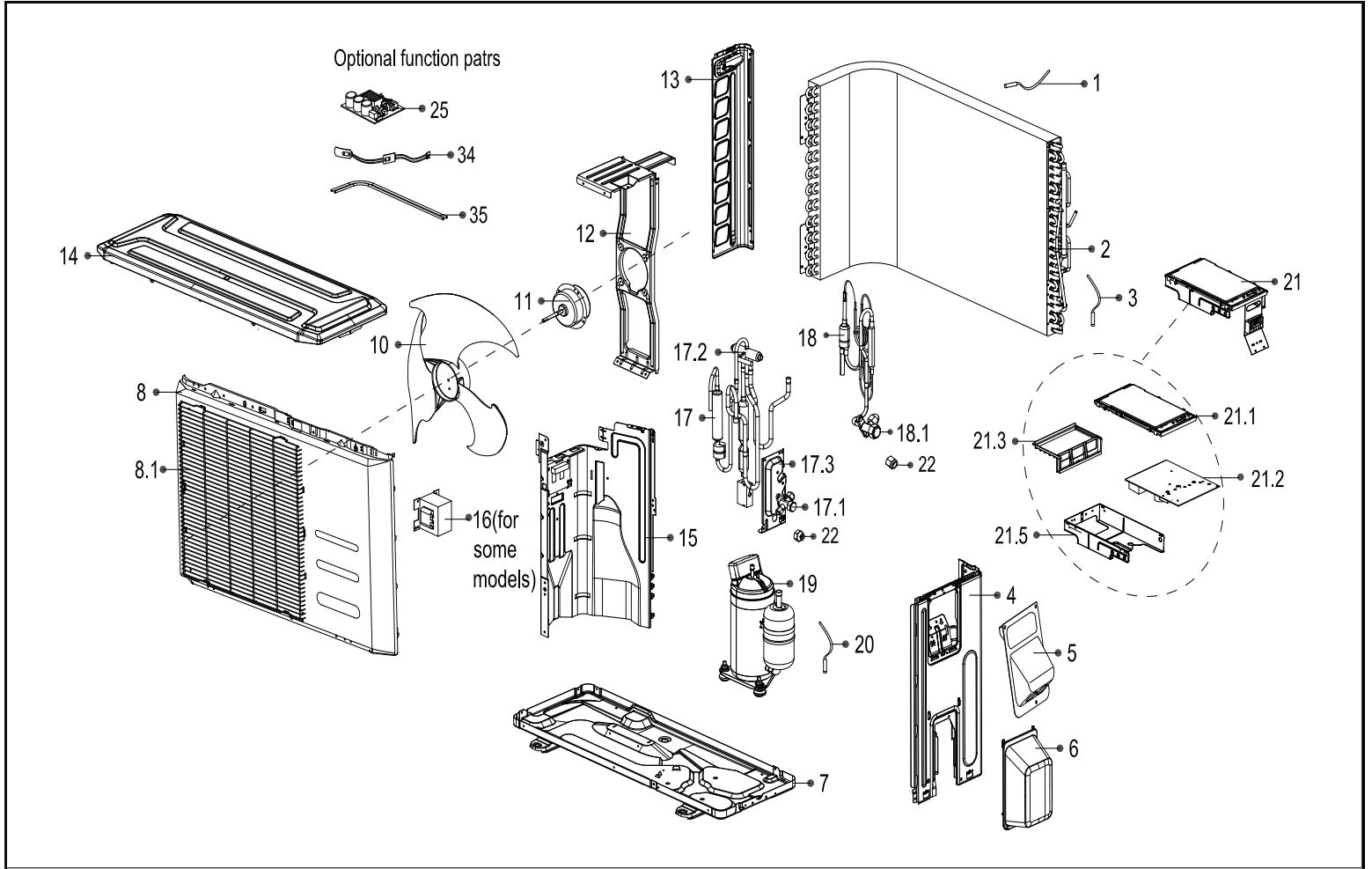
CPG018CD(O)

Power Supply:

208-230V_1Ph, 60HZ

Export Time:

2015-12-25 18:28:19



No.	Part Name	Quantity	BOM Code
1	Ambient temperature sensor assembly	1	11201007000039
2	Condenser assembly	1	15822000003520
3	Pipe temperature sensor assembly	1	11201007000069
4	Right clapboard assembly	1	12222000005745
5	Big handle	1	12222000005102
6	Water collector	1	12122000007150
7	Chassis assembly	1	12222000004326
8	Front panel	1	12222000004463
10	Axial flow fan	1	12100105000051
11	Fan Motor	1	11002012008761
12	Supporter assembly of fan motor	1	12222200001462
13	Left supporter	1	12222000006504
14	Top cover assembly	1	12222000002451
15	Partition board assembly	1	12222200001146
16	Reactor	1	17400306000053
17	4-Ways valve assembly	1	15422000004716
17.1	Gas valve	1	15500204000058

No.	Part Name	Quantity	BOM Code
17.2	4-Ways valve	1	15500216000026
17.3	Valve plate	1	12222000002571
18	Liquid valve assembly	1	15422000004813
18.1	Liquid valve	1	15500208000028
19	Compressor	1	11103020000006
20	Discharge temperature sensor assembly	1	11201007000005
21	Electronic control box assembly	1	17222000A17829
21.1	Cover of electronic control box	1	12122000006856
21.2	Outdoor power board assembly	1	17122000A14114
21.3	Support of electronic control box	1	12122000014683
21.5	Electronic installing box	1	12222000001325
22	Copper nut	1	15500406000012
22	Copper nut	1	15500406000016
25	Rear net	1	12222000003622
29	Crankcase electric heater	1	17402001000008
31	Terminal board	1	12222000002259
32	Wire joint	1	17400401000075