

Sale Model:

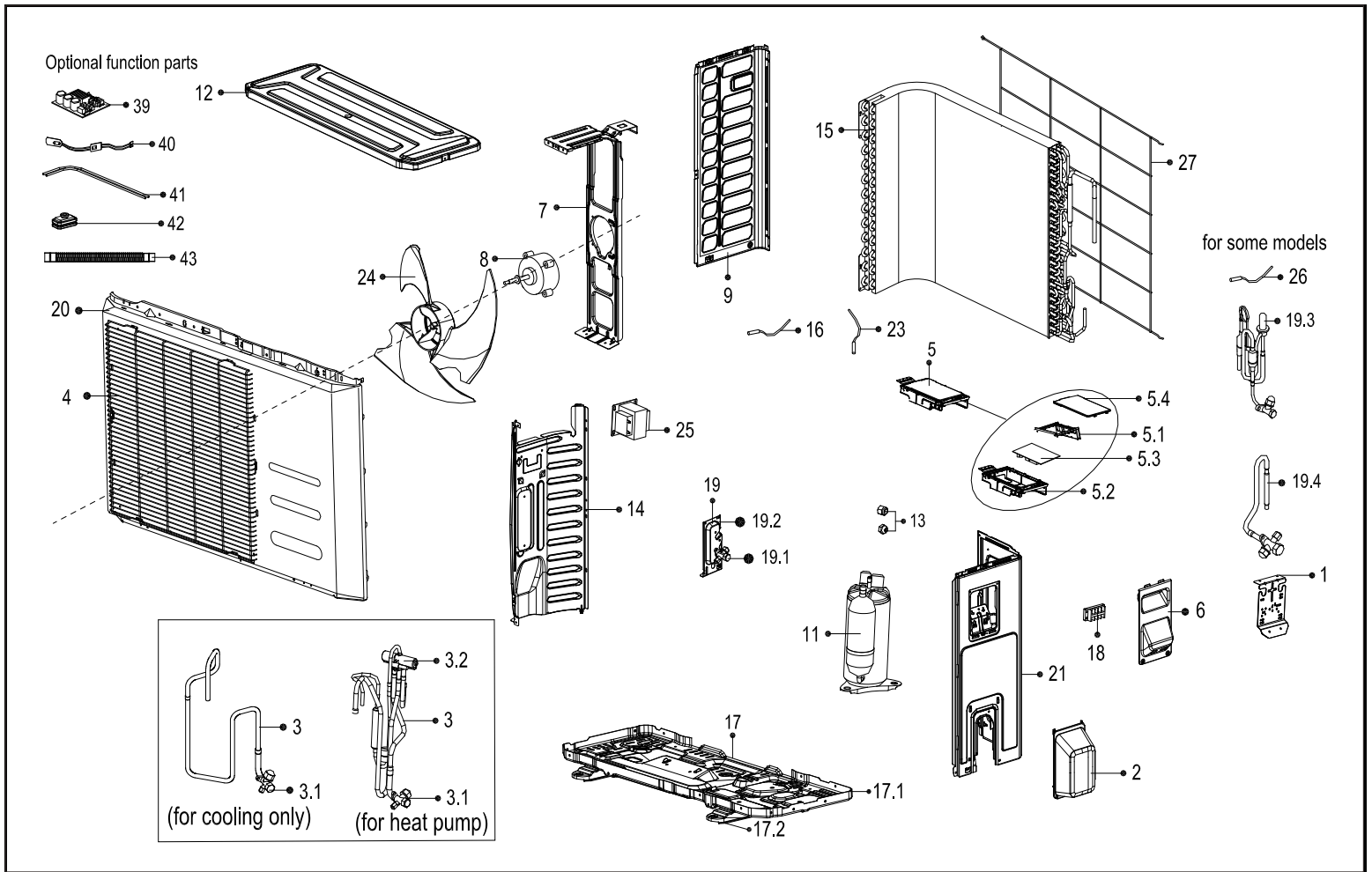
CPG024CD(O)

Power Supply:

208-230V_1Ph, 60HZ

Export Time:

2015-12-25 18:32:05



No.	Part Name	Quantity	BOM Code
1	Terminal board	1	12222000004782
2	Water collector	1	12122000007150
3	4-way valve assembly	1	15422000004833
3.1	Gas valve	1	15500204000025
3.2	4-way valve	1	15500216000026
4	Air outlet grille	1	12222000001865
5	Electronic control box assembly	1	17222000A17828
5.1	Support of electronic control box	1	12122000014683
5.2	Cover of electronic control box	1	12222000004827
5.3	Outdoor main control board assembly	1	17122000A14115
5.4	Cover of electronic control box	1	12122000006856
6	Big handle	1	12222000005102
7	Supporter assembly of fan motor	1	12222000004923
8	Fan motor	1	11002012005429
9	Left side plate assembly	1	12222000004831
11	Compressor	1	11103020000179
12	Top cover assembly	1	12222000004835
13	Copper nut	1	15500406000003
13	Copper nut	1	155004060000010

No.	Part Name	Quantity	BOM Code
14	Partition board assembly	1	12222000004784
15	Condenser assembly	1	15822000003636
16	Ambient temperature sensor assembly	1	11201007000039
17	Chassis assembly	1	12222000004824
18	Wire joint	1	17400401000075
19	Liquid valve assembly	1	15422000007812
19.1	Liquid valve	1	15500208000023
19.2	Valve plate	1	12222000002571
20	Front panel	1	12222000006304
21	Right side plate	1	12222000004830
23	Pipe temperature sensor assembly	1	11201007000069
24	Axial flow fan	1	12100105000181
25	Reactor	1	17400306000058
26	Discharge temperature sensor assembly	1	11201007000005
27	Rear net	1	12222000004833
40	Crankcase electric heater	1	17402001000119