

Sale Model:

CPG030CD(I)

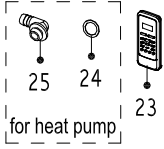
Power Supply:

208-230V_1Ph,60HZ

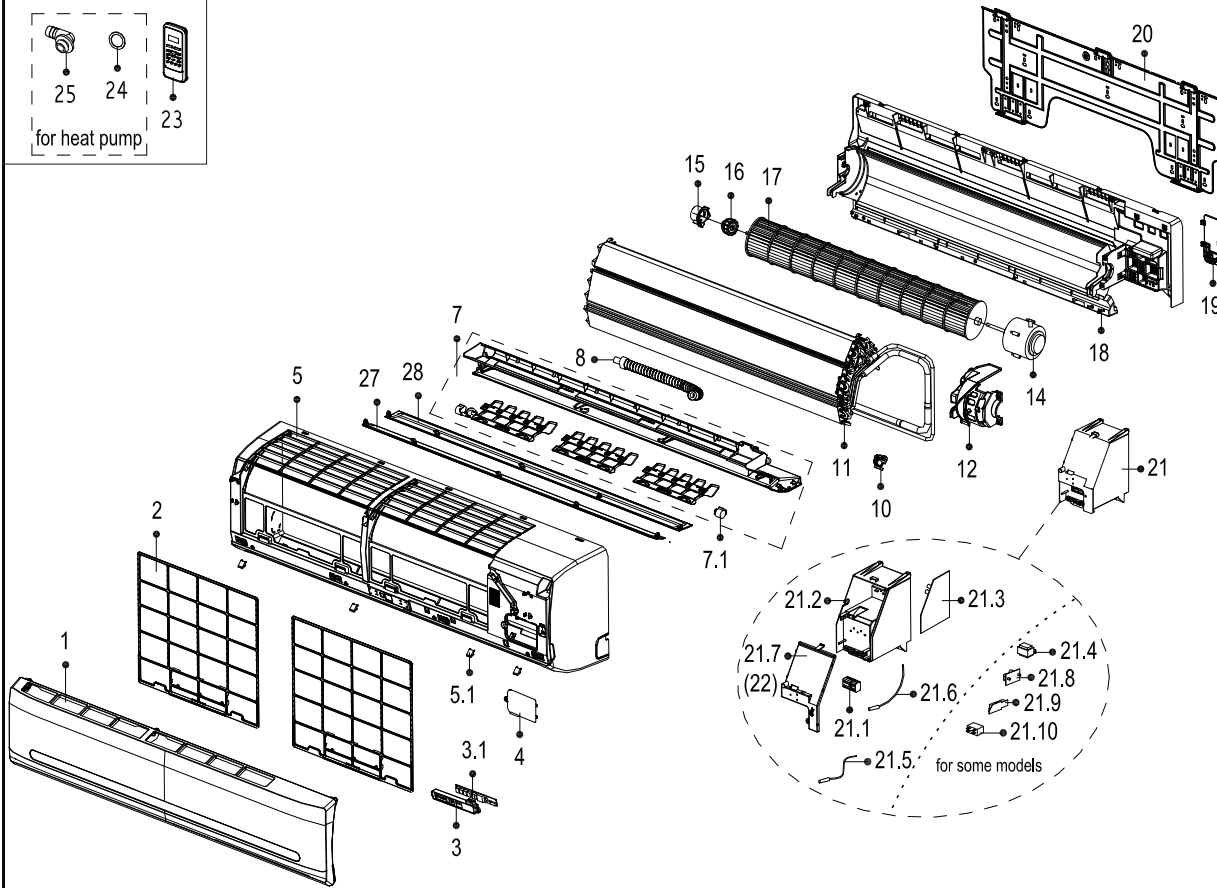
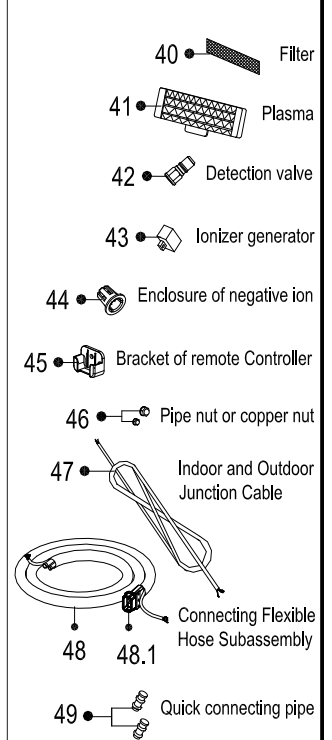
Export Time:

2016-02-27 16:41:43

Accessory part



Optional part



No.	Part Name	Quantity	BOM Code
1	Panel assembly	1	12122000A30901
2	Air filter	2	12100204000456
3	Display box assembly	1	17222000A09281
3.1	Display board assembly	1	17122000A09671
4	Cover of electrical equipment	1	12122000006694
5	Panel frame assembly	1	12122000001931
5.1	Screw cap	4	12122000006272
7	Air outlet assembly	1	12122000011921
7.1	Louver motor	1	11002010000004
8	Drain hose	1	12100501000021
10	Fix clamp of temperature sensor	1	12100303000008
11	Evaporator assembly	1	15822000003718
12	Fan motor cover	1	12122000005475
14	Fan motor	1	11002015000094
15	Bearing holder	1	12122000000350
16	Bearing base	1	12622000000006
17	Cross flow fan	1	12100102000084
18	Chassis assembly	1	12122000003909
19	Pipe clamp board	1	12122000000460

No.	Part Name	Quantity	BOM Code
20	Installation plate	1	12222000000029
21	Electronic control box assembly	1	17222000009475
21.1	Wire joint	1	17400401000006
21.2	Electronic control box	1	12122000004617
21.3	Indoor main control board assembly	1	17122000018860
21.5	Ambient temperature sensor assembly	1	11201007000088
21.6	Pipe temperature sensor assembly	1	11201007000322
21.7	Cover of electronic control box	1	12122000005040
23	Remote Controller	1	17317000A16345
24	Seal ring	1	12600701000039
25	Drain joint	1	12100509000061
27	Horizontal louver (above)	1	12122000006106
28	Horizontal louver (below)	1	12122000008092
40	Air freshening filter	1	12100204000685
46	Pipe nut or Copper nut	1	15500406000003
46	Pipe nut or Copper nut	1	15500406000010