

Sale Model:

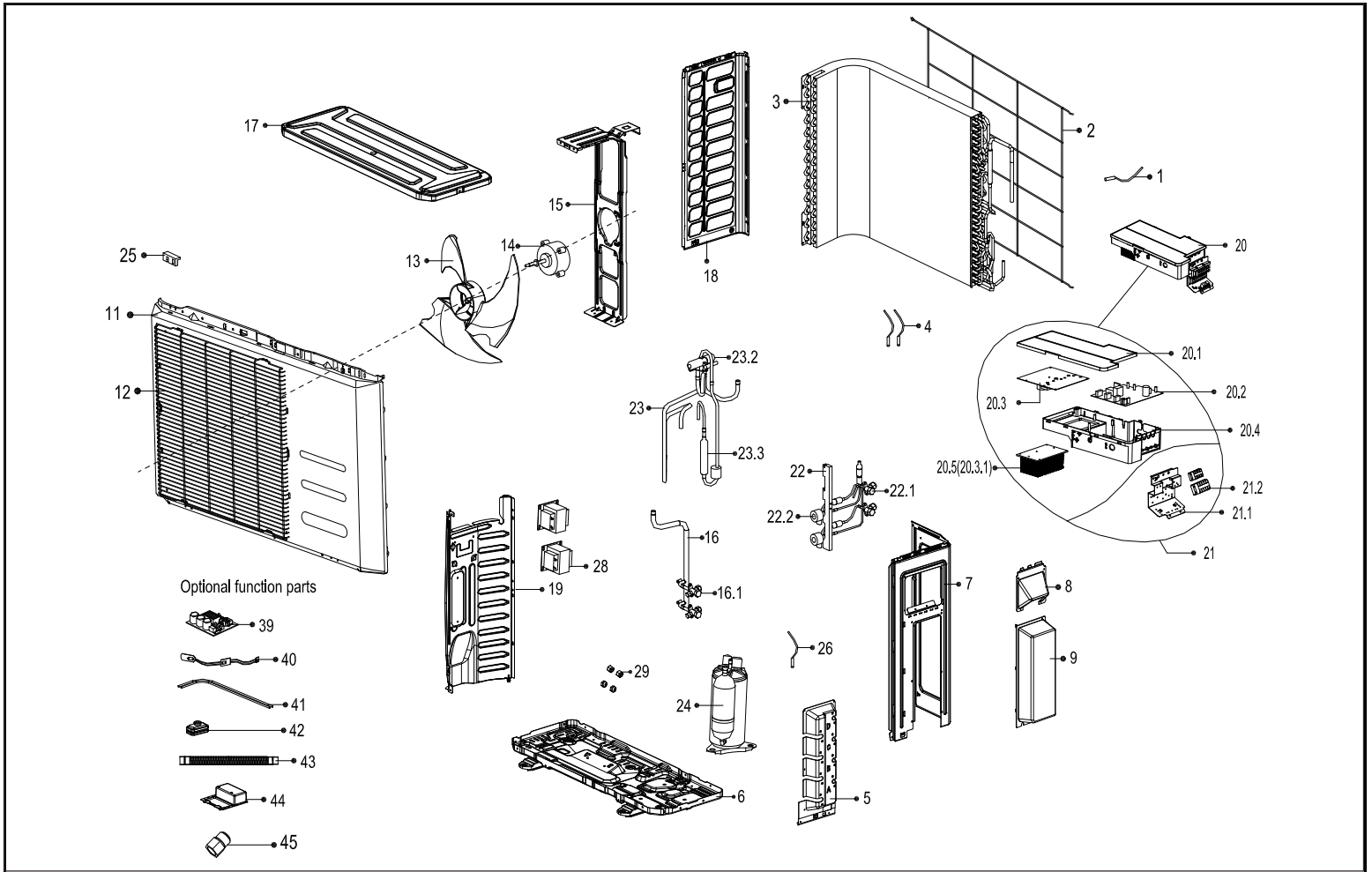
CM2-18-2Z

Power Supply:

208_230V_1Ph,FREQUENCY_60HZ

Export Time:

2016-03-04 15:43:06



No.	Part Name	Quantity	BOM Code
1	Ambient temperature sensor assembly	1	11201007000143
2	Rear net	1	12222000004833
3	Condenser assembly	1	15823000A01699
4	Pipe temperature sensor assembly	1	11201007000136
4	Pipe temperature sensor assembly	1	11201007000259
5	Valve plate	1	12222300000551
6	Chassis assembly	1	12222200002994
7	Rear right clapboard assembly	1	12222300000550
8	Big handle	1	12222300000029
9	Water collector	1	12122300000150
11	Front panel	1	12222000006304
12	Air outlet grille	1	12222000007425
13	Axial flow fan	1	12100105000181
14	Asynchronous motor	1	11002015000397
15	Supporter assembly of fan motor	1	12222000004884

No.	Part Name	Quantity	BOM Code
16	Liquid valve assembly	1	15422300000425
16.1	Liquid valve	2	15500204000021
17	Top cover assembly	1	12222000004835
18	Left supporter	1	12222000004831
19	Partition board assembly	1	12222000004784
20	Electronic control box assembly	1	17222300000769
20.1	Cover of electronic control box	1	12122300000044
20.2	Outdoor main control board assembly	1	17122300001132
20.3	Inverter control board assembly	1	17122300001114
20.3.1	Radiator	1	11203803000676
20.3.1	Radiator	1	11203803000856
20.4	Installation plate of electric parts	1	12122300000041
21	Terminal board assembly	1	17222300000768
21.1	Terminal board	1	12222300000226
21.2	Wire joint	1	17400401000084
22	Liquid valve assembly	1	15422300000426
22.1	Liquid valve	2	15500208000028
22.2	Electronic expansion valve assembly	2	15500213000046
23	4-ways valve assembly	1	15422300000424
23.2	4-ways valve	1	15500216000003
23.3	Muffler	1	15500506000007
24	Compressor	1	11103020000499
26	Discharge temperature sensor assembly	1	11201007000246
28	Reactor	1	17400306000058
28	Reactor	1	17400306000070
29	Copper nut	2	15500406000010
29	Copper nut	2	15500406000012
29	Copper nut	2	15500406000016
40	Crankcase electric heater	1	17402001000008
45	DR Module Box Subassembly	2	15500307000001