

Submittal Data Sheet

Project Name:		Approval:	
Location:		Date:	
Engineer:		Construction:	
Submitted to:		Unit #:	
Submitted by:		Drawing #:	
Reference:			

Indoor	CPP009CD(I)
Outdoor	CPP009CD(O)



PERFORMANCE DATA

Power supply	Ph-V-Hz	208-230V~60Hz, 1Ph
--------------	---------	--------------------

Cooling

Capacity	Btu/h	9000
Input	W	640
Rated current	A	2.9
EER	Btu/w	14
SEER	Btu/w	22.8

Heating

Capacity	Btu/h	9800
Input	W	930
Rated current	A	4.2
COP	W/W	3.09
HSPF4	Btu/w	10.5
HSPF5	Btu/w	8.6
MINIMUM CIRCUIT AMPACITY	A	10
MAX.FUSE	A	15
Moisture Removal	L/h	/

Compressor Electrical

Model		ASN98D22UFZ
Type		ROTARY
Brand		GMCC
Capacity	Btu/h	10014
Input	W	748
Rated current(RLA)	A	----
Locked rotor Amp(LRA)	A	----
Thermal protector		----
Thermal protector position		----
Refrigerant oil/oil charge	ml	ESTER OIL VG74-370
Connection wiring		16#4 Stranded, unshielded
Thermostat type		Remote Control

SYSTEM DATA

Design pressure	MPa	R410A/1000g
Refrigerant type	oz	25
Refrigerant precharge	ft	0.161
Additional charge per ft.	oz	550/340 PSIG
Liquid side/ Gas side	mm(in)	Φ6.35/Φ9.52(1/4"/3/8")
Max. refrigerant pipe length	ft	82
Max. difference in level	ft.	33
Application area	sq.ft	129-189

INDOOR UNIT DATA

Indoor fan motor		
Model		ZKFP-20-8-6
Brand		Welling
Input		22
RLA	A	----
LRA	A	----
Winding Resistance	Ω	----
Capacitor	uF	----
Speed(Hi/Mi/Lo)	r/min	1080/850/700
Air flow & Noise level		
Indoor air flow (Hi/Mi/Lo)	CFM	265/205/141
Indoor noise level (Hi/Mi/Lo)	dB(A)	36.5/30/25

Indoor unit

Dimension(W*D*H)	inch	31.57x7.44x11.69
Packing (W*D*H)	inch	34.45x11.22x14.76
Net/Gross weight	lbs.	18.1/22.0

OUTDOOR UNIT DATA

Outdoor fan motor		
Model		ZKFN-40-8-1L
Brand		Welling
Input		63
RLA	A	----
LRA	A	----
Winding Resistance	Ω	----
Capacitor	uF	----
Speed	r/min	----
Air flow & Noise level		
Outdoor air flow	CFM	1060
Outdoor noise level	dB(A)	55.5

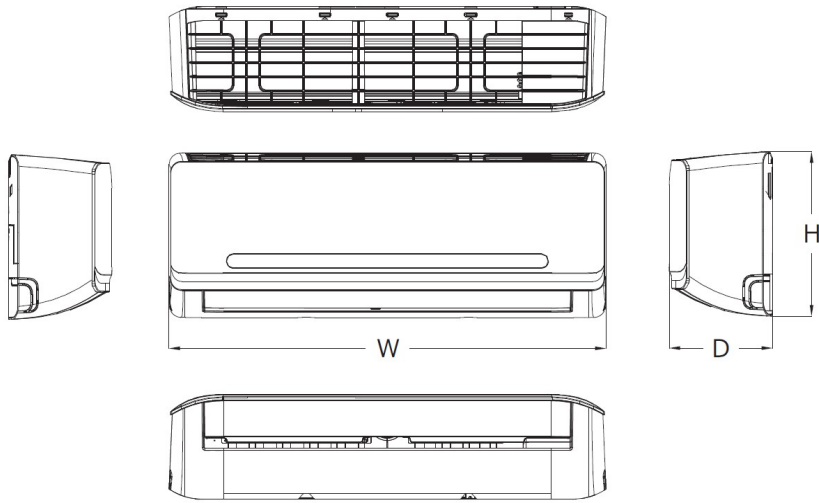
Outdoor unit

Dimension(W*D*H)	inch	30.31x11.81x21.85
Packing (W*D*H)	inch	35.43x13.58x23.03
Net/Gross weight	lbs.	63.9/69.4

Operation temperature

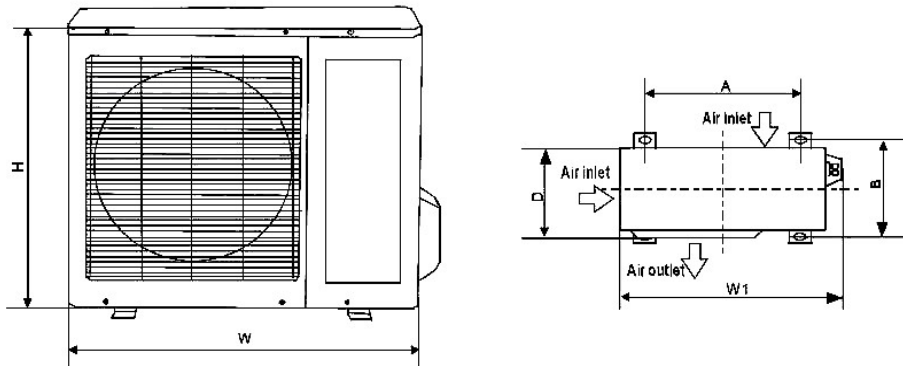
Indoor(cooling/ heating)	Deg. F	62~90/32~86
Outdoor(cooling/heating)	Deg. F	-13~122/-13~86

INDOOR UNIT



Model	W (inch)	D (inch)	H (inch)
CPP009CD(I)	31.57	7.44	11.69

OUTDOOR UNIT



Model	W (inch)	D (inch)	H (inch)	W1 (inch)	A (inch)	B (inch)
CPP009CD(O)	30.31	11.81	21.85	33.07	19.17	11.73